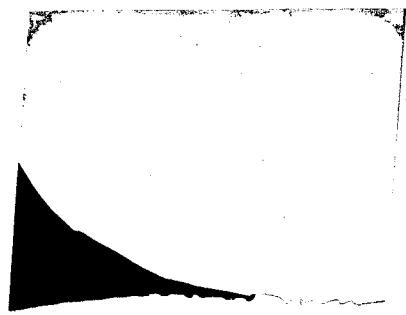


217



TEAC A-6010SL

STEREO TAPE DECK
SERVICE MANUAL



TEAC CORPORATION

SALES OFFICE:

SHINJUKU BUILDING
1-8-1, NISHI-SHINJUKU, SHINJUKU, TOKYO

U.S. DISTRIBUTOR:

TEAC CORPORATION OF AMERICA
7733 TELEGRAPH ROAD
MONTEBELLO, CALIFORNIA 90140
U.S.A.

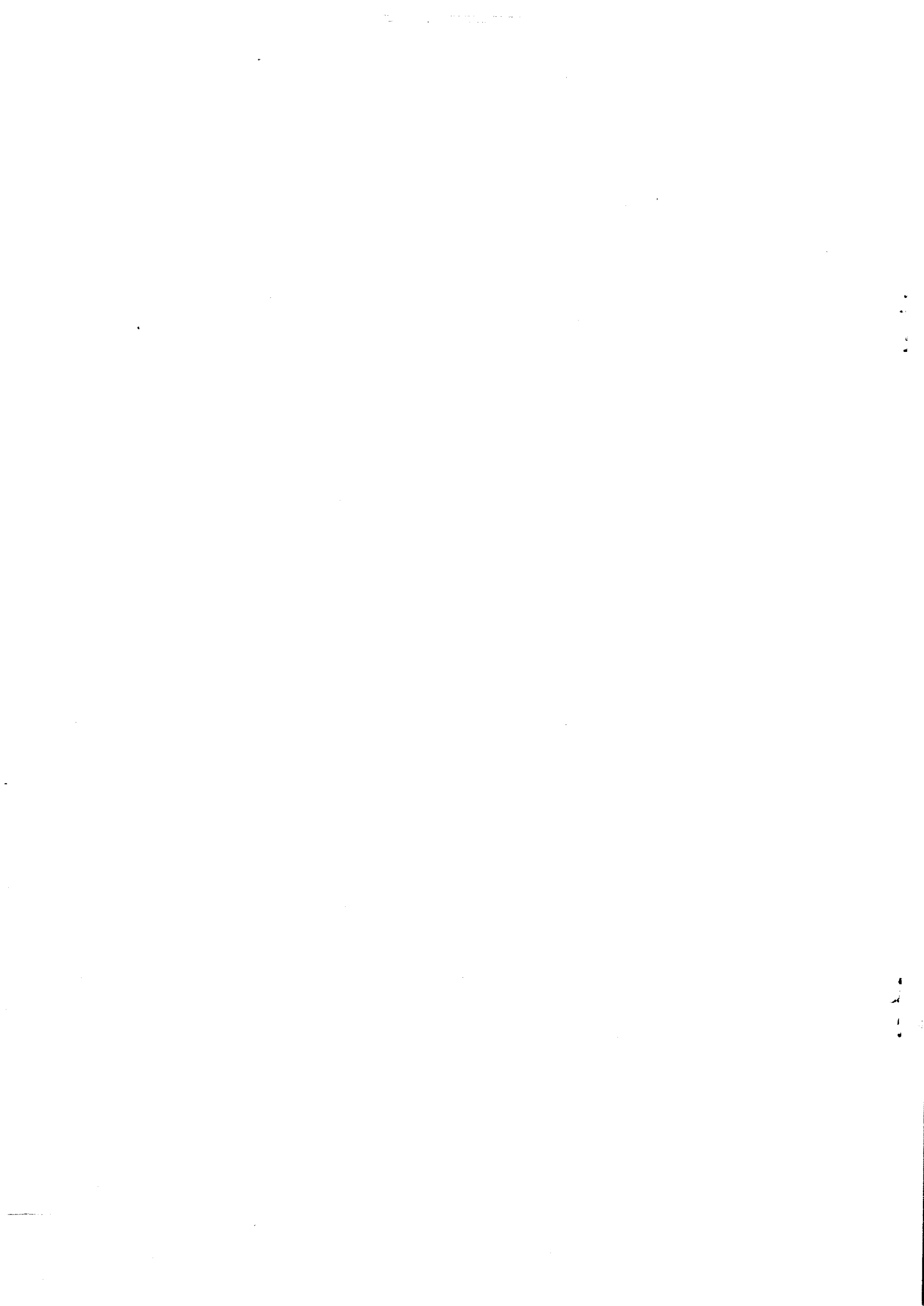
EUROPEAN DISTRIBUTOR:

TEAC EUROPE N.V.
KABELWEG 45-47, AMSTERDAM-W. 2,
HOLLAND

MT6011E100

PRINTED IN JAPAN 871E -S-0032

217



1 GENERAL DESCRIPTION

The TEAC A-6010 has achieved an enviable reputation for quality since its introduction five years ago. During this period many design improvements and modifications have been incorporated. However, the recent introduction of more versatile, improved tape products called for extensive modification and redesign in order to provide proper utilization of these tapes. Therefore we have produced the new A-6010SL, to provide complete flexibility in selection of recording tapes and to meet the stringent requirements of these tapes.

The basic design of the A-6010SL is highly similar to that of the A-6010, Therefore information in this service manual may be applied to the A-6010.

If adjustments or repairs are too complicated and are difficult for you to accomplish, or if you have any technical questions, please contact the nearest TEAC dealer or TEAC Corporation or affiliated corporations.

INDEX

1. GENERAL DESCRIPTION
 2. SERVICE DATA
 3. EQUIPMENT REQUIRED
 4. PARTIAL DISASSEMBLY
 5. HEAD ALIGNMENT -MECHANICAL-
 6. MEASUREMENT AND ADJUSTMENT -MECHANICAL-
 7. MEASUREMENT AND ADJUSTMENT -ELECTRICAL-
 8. PREVENTIVE MAINTENANCE
 9. TROUBLE SHOOTING
 10. WARRANTY
 11. PACKING FOR SHIPMENT
 12. SCHEMATIC DIAGRAMS
 13. PRINTED CIRCUIT BOARD AND PARTS LIST
 14. EXPLODED VIEW AND PARTS LIST
 15. MANUAL CHANGES
-

2 SERVICE DATA

MECHANICAL

Heads:	4-4 track 2 channel stereophonic. Erase Record Forward play and Reverse play; Erase head, 1.8k ohm/100kHz, erase current approx. 30mA Record section, 100 ohm/1kHz, bias current approx. 2mA Playback, 3k ohm/1kHz -63dB
Tape Width:	Standard 1/4 inch tape
Tape Speed:	3-3/4ips and 7-1/2ips($\pm 0.5\%$)
Motors:	1 - two speed hysteresis synchronous motor for capstan drive. 2 - six pole eddy current motors for reel drive.
Wow and Flutter:	0.06% at 7-1/2ips. 0.09% at 3-3/4ips. Wow and flutter measured according to weighted NAB standard using TEAC flutter free tape.
Fast Winding Time:	Approx. 90 second or less for 1,200 feet.
Operating Position:	Horizontal or vertical.
Power Requirements:	100/117/200/220/240V AC 50/60Hz 140W
Weight:	52 lbs(net.)

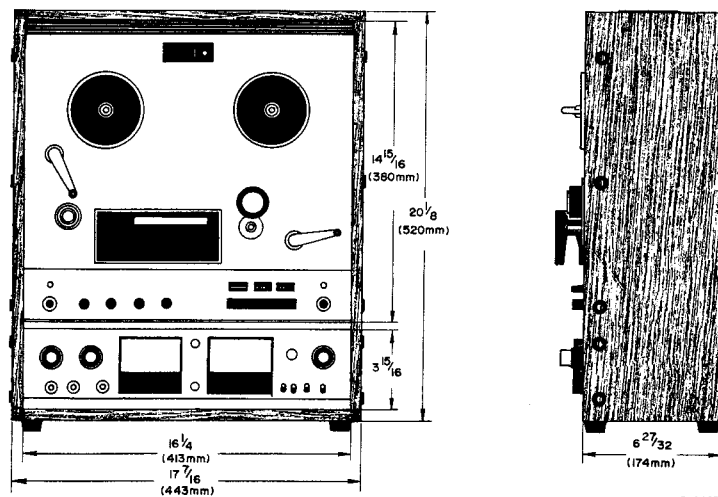


Fig. 2-1 Dimensions

ELECTRICAL

Transistors: 2SC1000BL x 2 2SC733Y or 2SC536F x 5
2SA572YL4 x 2 2SC971 x 2
2SC536F x 2 2SD 235 x 1
2SC693F x 2 2SA494-Y x 2

IC: IC101/201 TEAC 42709
IC102/202 TEAC 42709
IC103/203 TEAC 42710

Diodes: SIB01-02 x 5, SIB01-06 x 8

Frequency Response: Overall from recording INPUT to playback
OUTPUT.
7-1/2ips, ± 2 dB 30Hz - 20kHz
3-3/4ips, ± 2 dB 40Hz - 10kHz

Equalization: NAB equalization
7-1/2ips 50u sec. 3-3/4ips 90u sec.

Input: MIC: 600 ohms, -70dB(0.25mV)
LINE: 50,000 ohms or more, 0.1V

Output: LINE: 0.3V for load impedance of 10,000 ohms
or more
HEADPHONES: 8 ohms

Bias Freq.: 100kHz push-pull oscillator

Signal to Noise Ratio: 50dB or more
Peak record level to unweighted noise

Cross talk Rejection: Channel to channel at 1kHz/45dB or more
Adjacent track at 100Hz/40dB

Erase Efficiency: 65dB or more at 7-1/2ips

NOTE

As a result of continuing changes and improvements during the production run, minor differences may be found between early and later machines, refer to manual change sheets for information concerning modifications.

3 EQUIPMENT REQUIRED

FOR MECHANICAL MEASUREMENT

SPRING SCALE: 0 - 3kg(0 - 8 lbs)
0 - 300g(0 - 10 oz)

TEST TAPE: TEAC YTT-2003 (7-1/2ips)
TEAC YTT-2002 (3-3/4ips)

FLUTTER METER: SENTINEL INC FL-3D-1

DIGITAL FREQ. COUNTER: Capable of 0 to 5kHz indication.

TOOLS: General, 2mm nut driver, Hex head Allen wrench

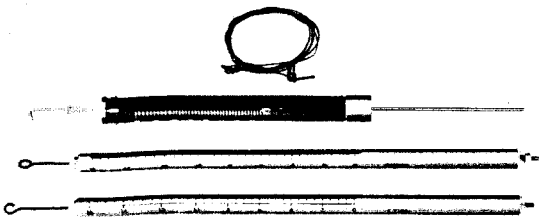


Fig. 3-1 Spring Scale



Fig. 3-2 TEAC Hex Allen Wrench

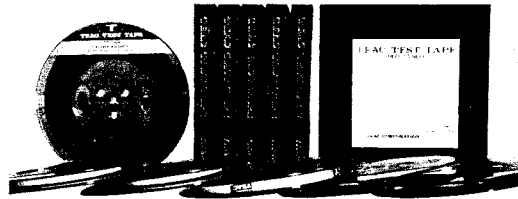


Fig. 3-3 TEAC Test Tapes

FOR ELECTRICAL MEASUREMENT

TEST TAPE: TEAC YTT-1003 for 7-1/2ips
TEAC YTT-1002 for 3-3/4ips
SCOTCH 203 and 150 for recording test.

EMPTY REEL: TEAC RE-702(2" hub)
TEAC RE-701(4" hub)

TEST SET: TEAC M-826A test set

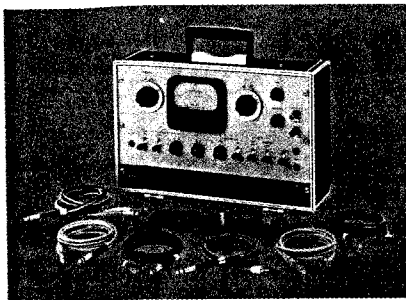


Fig. 4-4 TEAC Test Set

BAND PASS FILTER: TEAC M-206A(1kHz)

VTVM: hp model 4302B or equivalent

RESISTOR: Non inductive type 8ohm/1W

OSCILLOSCOPE: General purpose

NOTE

Use of the TEAC M-826A test set is recommended. This set incorporates an AC VTVM, Audio Oscillator, Channel Selecting switch, Variable Attenuator, Monitor Speaker and Cables.

TEAC M-826A measures the RMS value of the Voltage(OdB=0.775V). Characteristics of this test set are similar to the standard VU-meter.

4 PARTIAL DISASSEMBLY

CAUTION

Do not attempt complete disassembly of any of the subassemblies.

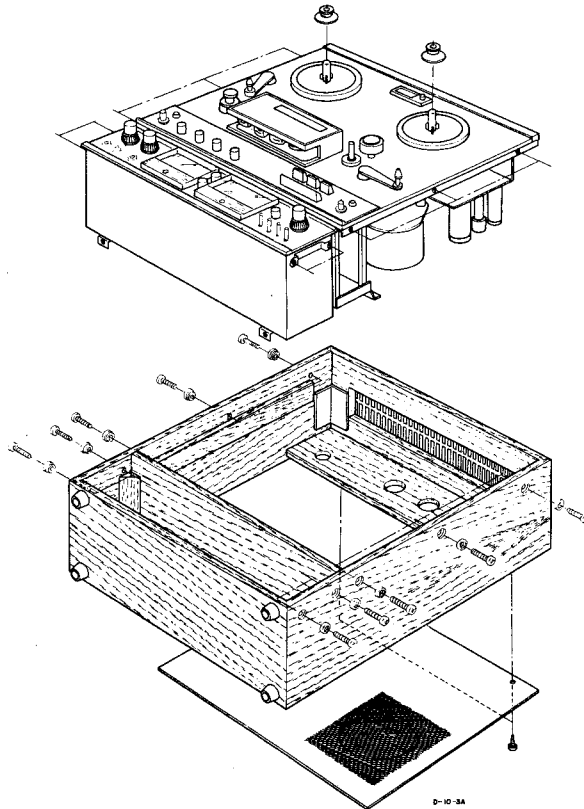
The list of individually replaceable parts in the exploded view should be used as a guide to disassembly limits.

Tape Transport:

1. Remove power cord and other connecting cords.
2. Lay the equipment face down on a soft mat.
3. Remove the 2 rear cover screws.
4. Remove 3 upper screws on both sides of the case.
5. Lift the case from the transport.

Amplifier:

1. Remove 2 screws on both sides of the case.
2. Lift the amplifier from case.



Removing the equipment from case

HEAD REPLACEMENT

CAUTION

Power to the unit must be switched off when removing the heads, this to prevent transient pulses from passing through the heads causing strong magnetization or damage to the delicate windings. After head replacement, thorough demagnetization is recommended.

NOTE

The heads of the A-6010SL can be changed either as a complete assembly or individually as necessary.

HEAD ASSEMBLY REPLACEMENT

To change the head assembly as a unit, remove the four mounting screws, (one on each end).

Note the positions of the wires on the circuit board before unsoldering. Solder the wires of the new heads in exactly the same positions.

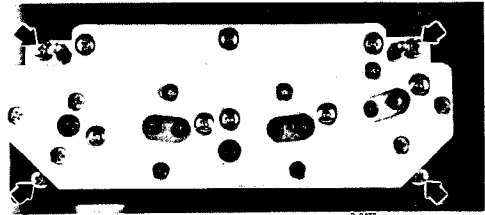


Fig. 4-1 Head Assy

INDIVIDUAL HEAD REPLACEMENT

To replace a single head, a special 2mm nut driver is required. Remove the two nuts on the defective head through the access hole provided, this releases the head from the mounting plate. Note the position of the wires on the circuit board. Connect the new head in the same manner.

Replace the nuts securing the new head to the plate, perform head alignment before operation.

Head installation mounting provides for left or right positioning. After installing heads, determine proper position while recording or playing back a tape.

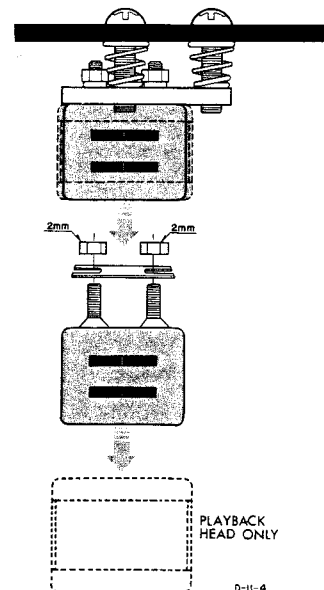


Fig. 4-2 Individual Heads

CAPSTAN MOTOR

1. Remove the fan.
2. Remove the capstan belt.
3. Remove the top @ spring clips holding mount stand offs.
4. Remove the four screws holding the motor and shield plate. -(top)
5. Unsolder the six wires connecting the capstan motor.
6. Remove the four screws holding the motor and shield plate. -(bottom)
7. Loosen the two set screws (HEX HEAD) in pulley and lift off pulley.

NOTE

After motor replacement, check position of capstan pulley on shaft for proper alignment with belt guide.

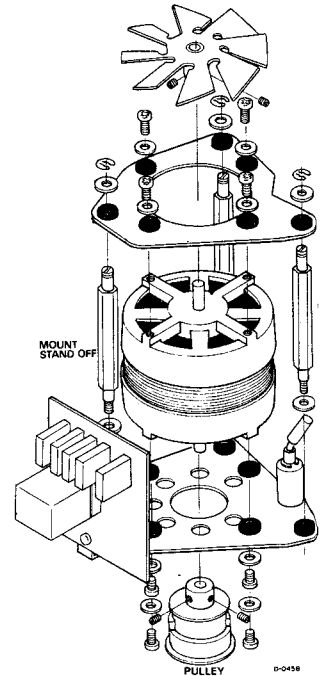


Fig. 4-3 Capstan Motor Removal

REEL MOTOR

NOTE

Reel motor assemblies are mirror images of each other, these assemblies are not interchangeable.

1. Using hex head wrench, loosen the two screws on the counter belt pulley. Remove pulley(right turntable only).
2. Remove the rubber insert, then remove the three screws holding reel table to motor.
3. Remove the three screws holding the reel motor to the mount.
4. Unsolder four wires connecting the reel motor and remove motor from panel.

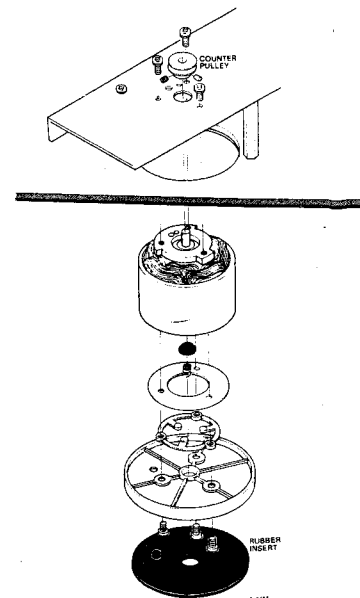


Fig. 4-4 Reel Motor Removal

CAPSTAN ASSEMBLY

CAUTION

A clearance of 0.02" must be maintained between the flywheel and capstan assembly.

1. Unscrew capstan cover (front panel).
2. Remove two screws from rear bracket, allow bracket to drop forward floor case.
3. Remove capstan belt.
4. Loosen two screws in capstan assy. flywheel.
5. Remove three screws in capstan assy.
6. Gently move capstan assy up and down until it slides out of panel.

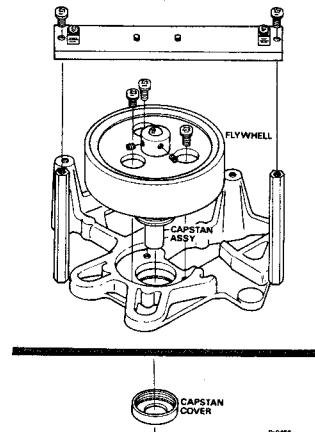


Fig. 4-5 Capstan Assy Removal

TENSION ARM ASSY -LEFT-

1. Remove coil spring.
2. Unscrew spring rod.
3. Remove the brass collar and washer.
4. Unsolder the two wires (1 white, 1 black) from terminal strip.
5. Lift out tension arm.

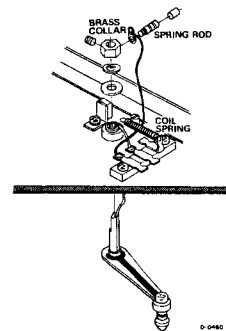


Fig. 4-6 Tension Arm -Left-

TENSION ARM ASSY -RIGHT-

1. Remove coil spring.
2. Loosen set screw in retainer assy.
3. Remove retainer assy and washer.
4. Lift out tension arm.

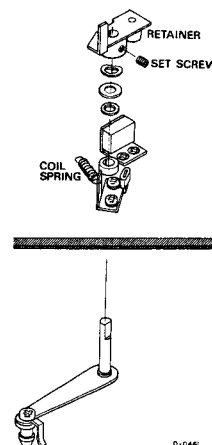


Fig. 4-7 Tension Arm -Right-

5 HEAD MECHANICAL ALIGNMENT

NOTE

Head alignment is adjusted at the factory to very critical tolerances. Normally HEAD ASSEMBLY replacement will require only minor alignments or adjustments. Complete readjustment should only be necessary after an individual head is replaced. The adjustments are made as follows:

ERASE HEAD SECTION

The erase head pole should be above the edge of a threaded tape by the width of heavy pencil line.

RECORD HEAD SECTION

The record head pole should be above the edge of a threaded tape by the width of a thin pencil line.

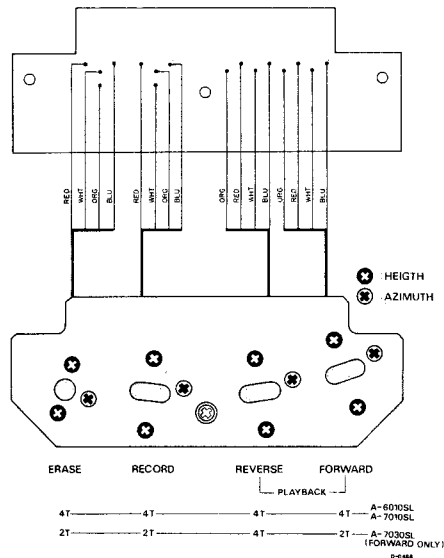


Fig. 5-1 Head Alignment And Adjustable Screw

PLAYBACK HEAD -FORWARD-

The pole of the playback head should be even with the top of a threaded tape.

PLAYBACK HEAD -REVERSE-

The pole of the playback head should be even with the bottom of a threaded tape.

NOTE

Azimuth adjustments are given in the section on MEASUREMENT AND ADJUSTMENT -ELECTRICAL-



6 MEASUREMENT AND ADJUSTMENT

- MECHANICAL -

NOTE

The TEAC A-6010SL uses a highly reliable three motor drive system and should require a minimum of mechanical maintenance or adjustment.

These adjustments are made at the factory. Readjustment should only be required after many hours of operation or component replacement.

PINCH ROLLER PRESSURE

NOTE

Pinch roller pressure is supplied by pinch roller spring arm only and it is most important that the solenoid plunger be fully bottomed before taking pressure measurement.

1. Load tape or lock the shut-off arm in the on position.
2. Attach a suitable spring scale to the pinch roller shaft.
3. Place the unit in the (▷) PLAY mode, and holding the spring scale as illustrated, slowly draw it away from the pinch roller.
4. Do not allow the string to rub against the pinch roller.
5. Note the reading on the spring scale at the instant the pinch roller stops rotating.
6. The scale should indicate 2.8 - 3.1kg (6.6 - 7.2 lbs). Optimum value is 3.0kg.
7. If adjustment is necessary, adjust the takeup double nut on the CAPSTAN SOLENOID.

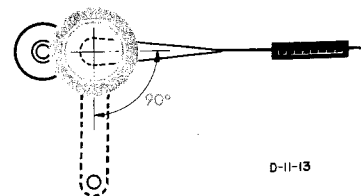
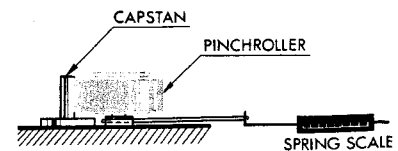
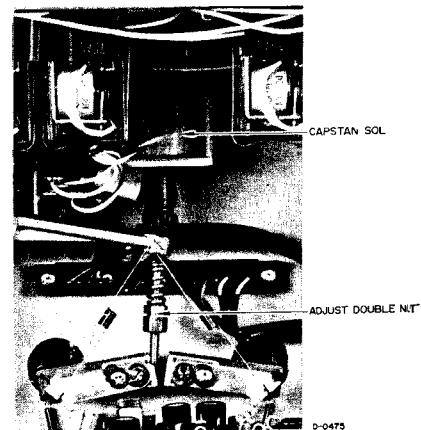


Fig. 6-1 Pressure Measurement
-Pinch Roller-

TORQUE MEASUREMENT PROCEDURE

IMPORTANT

Be sure the full required line voltage is applied and that the unit is set to the proper line frequency.

BACK TENSION Forward

1. Load tape or block the shut-off arm in the on position.
2. Place an empty 7" reel with a 2" diameter hub on left reel table.
3. Rotate the reel and wind several turns of string around the hub. Attach spring scale to string.
4. Place the unit in the (▷) play mode.
5. Pull the scale away from the reel against the motor torque, with a smooth steady motion.
6. Note the scale reading while it is in steady motion.
7. Make sure the string does not rub against the reel flanges.
8. If necessary, adjust resistor R-4 slider (B) until a scale reading of 210 - 230g/cm (2.9 - 3.2oz-inch) is obtained.

Reverse

9. To check the reverse back tension, place the reel and spring scale on the right reel table (see figure) and repeat above procedure pressing (◁) play button.
10. If necessary, adjust resistor R-3 slider (B) until a scale reading of 240 - 260g/cm (3.4 - 3.6oz-inch) is obtained.

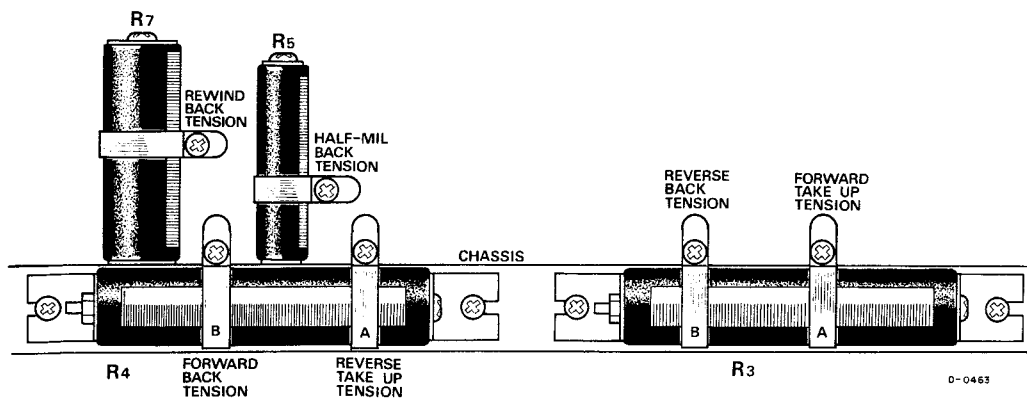


Fig. 6-2 Adjustable Tension Resistor

TAKE-UP TORQUE -Forward-

1. Place the empty reel and attached spring scale on the right reel table.
2. Place the unit in the (▷) play mode.
3. Allow the rotation of the reel to slowly draw the scale toward the hub.
4. Hold the spring scale with enough force to allow a steady reading.
5. If necessary, adjust resistor R-3 slider (A) until a scale reading of 340 - 370g/cm (4.8 - 5.2oz-inch) is obtained.

Reverse:

6. Place the empty reel and spring scale on the left reel table and select (◁) reverse play mode.
7. The measurement of reverse take-up torque is as above with the exception that rotations are clockwise.
8. If necessary, adjust resistor R-4 slider (A) until a scale reading of 470 - 510g/cm (6.6 - 7.1oz-inch) is obtained.

HALF-MIL TENSION

When the TAPE button is in the THIN position, the reading on the scale should decrease by 1/3 ounce from the normal reading. If adjustment is required, adjust the slider of R-5.

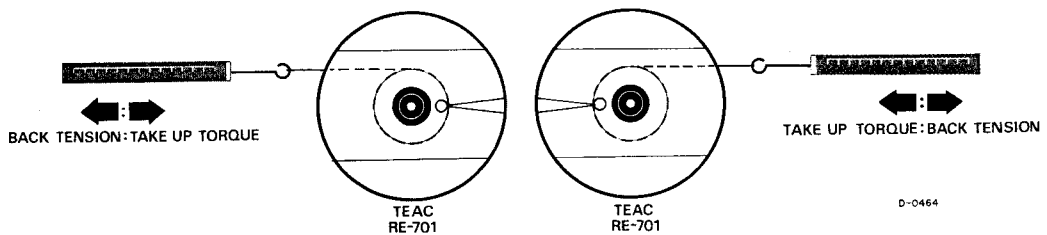


Fig. 6-3 Torque Measurement

REWIND BACK TENSION

1. Load a full 1,800ft reel of tape on the right reel table.
2. Place the empty reel with 2" hub on the left reel table.
3. Place the unit in the fast rewind mode, (◁).
4. Attach scale to right tension arm tape guide exert steady pull on scale until tension arm begins to move to the right at this point. A reading of 50±10g(0.7oz-inch) should be obtained. If different adjust resistor R-7 slider to obtain proper reading.

BRAKE TORQUE

NOTE

The brake torque is actuated mechanically. Pressure is set by the variable spring force. While making this measurement and adjustment, be careful not to bend the brake bands. As brake torque will change with cleaning brake drums and brake shoes should be cleaned only when absolutely necessary. If cleaning is required, use TEAC cleaner TZ-251B only. After cleaning operate the machine for some time before performing the below procedures.

1. Brake adjustments are made with no power applied to the unit.
2. Place an empty 4" hub reel on the left reel table, and fasten one end of a 30" length of string to the reel anchor.
3. Wind several turns of string counterclockwise around the hub and attach a suitable spring scale to the free end of the string.
4. Pull the spring scale away from the reel, making sure that the string does not rub the reel flanges.
5. Take a reading only when the reel is in steady motion since the force required to overcome static friction will produce a false, excessively high initial reading.
6. The reading should be 1,500±50g.
7. If different, adjust the left motor brake by holding the adjusting rod and loosening the nut on the locking collar. Then slide the rod through the collar and retighten the nut. Pulling the rod out tightens the brake.
8. To adjust the right reel brake repeat all steps as described for the left reel with the exception that all directions of rotation are clockwise.

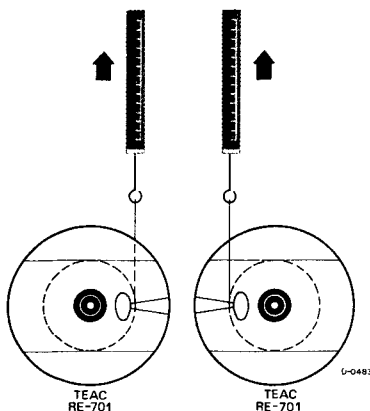


Fig. 6-4 Torque Measurement
-Brake-

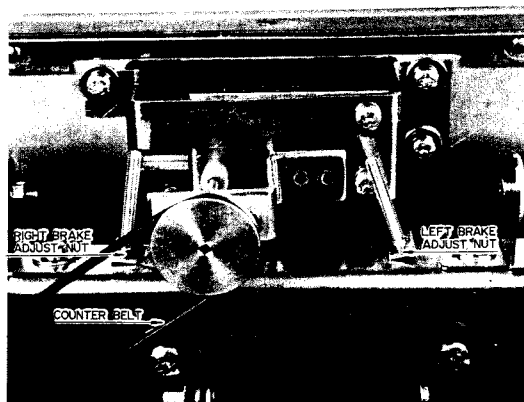


Fig. 6-5 Adjustable Location
-Brake-

IMPORTANT

The difference in torque between the right and left brake should be kept within 50g (0.7oz-inch).

FLUTTER

Flutter should be measured in playback mode using a TEAC flutter free tape YTT-2003-2002 and a Sentinel Inc model FL-3D-1 flutter meter.

Measurement of flutter should be made in accordance with NAB standards.

Values obtained by a different standards or equipment cannot be compared.

Flutter should not exceed 0.06% for 7-1/2ips and 0.09% for 3-3/4ips. These figures apply to any tape position and direction (such as full take-up reel, full supply reel or about mid point). If flutter is excessive, refer to trouble shooting chart in this manual.

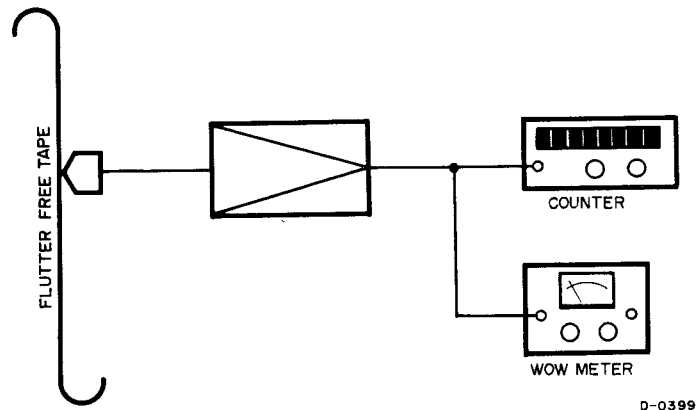


Fig. 6-6 Test Equipment Set-Up Flutter And Tape Speed

TAPE SPEED

The tape speed should be measured using TEAC flutter free tape, model YTT-2003-2002.

These tapes contain a highly accurate 3kHz tone.

Connect a digital frequency counter to either line LINE OUT jack.

The indicated frequency should be 3kHz 0.7% for all speeds.

FAST WIND TIME

NOTE

Clean all tape guide components and check for proper AC line voltage.

Using a 1,200 foot tape on a 7" reel, the fast wind time (fast forward or fast rewind) should be 90 seconds or less.

VOLTAGE AND FREQUENCY CONVERSION

Unit must be set to the power line frequency available. Improper frequency setting will result in a 20% error between the tape speed and reel motors torque.

NOTE

US model is preset to 117V AC and 60Hz. No frequency conversion is required.
If it should be necessary to convert the A-6010SL deck to operate from a power source of different voltage or frequency, it may be easily accomplished as follows:

Voltage Conversion:

The A-6010SL may be set for 100, 117, 200, 220 or 240 volts. To change the voltage unscrew the fuse in the center of the voltage selector plug. Pull out the plug and reinsert it so the desired voltage shows in the cutout. Reinstall the fuse.

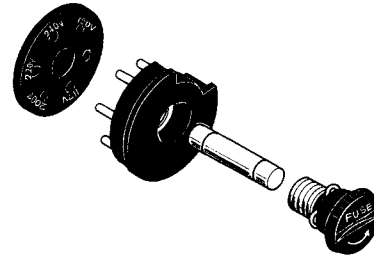


Fig. 6-7 voltage conversion

Frequency Conversion:

1. Disconnect power cord and remove rear deck cover.
2. Set frequency selector switch (above motor) to the required frequency.
3. Loosen red washered screw holding frequency shift lever in position.
4. While manually rotating the motor counterclockwise push frequency lever in for 50Hz - pull out for 60Hz operation. This lever changes the belt to the proper pulley steps.
5. Tighten the red washered screw to lock frequency shift lever into position.

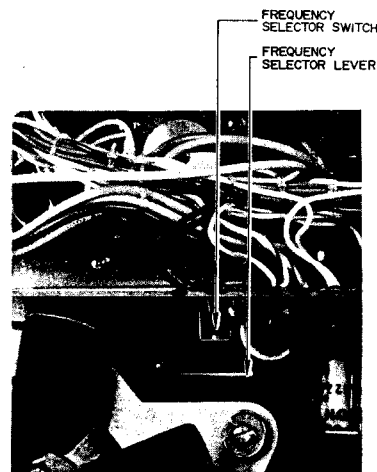


Fig. 6-8 frequency conversion

7 MEASUREMENT AND ADJUSTMENT

- ELECTRICAL -

GENERAL NOTICE

Before performing maintenance on this unit, thoroughly clean and demagnetize the entire tape path.

It is important that the unit be set to the proper voltage and frequency for your locality.

TEAC specified standard test tapes and test equipment must be used when performing maintenance to insure reliable results.

Procedures for checks and adjustments, unless otherwise indicated, are for the left channel at a tape speed of 7-1/2ips. The same procedures are to be applied to the right channel and again for both channels at 3-3/4ips, and both directions of playback.

All controls mentioned in this book will be printed in bold letters and will be exactly as they appear on the unit.

Double designated symbol numbers refer to left channel/right channel.

T H D : Third Harmonic Distortion.

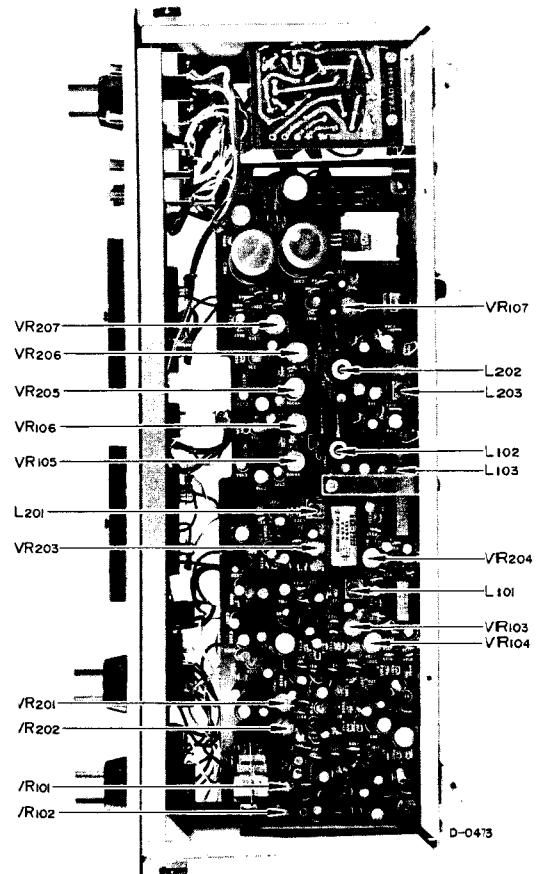


Fig. 7-1 Adjustable Parts Location

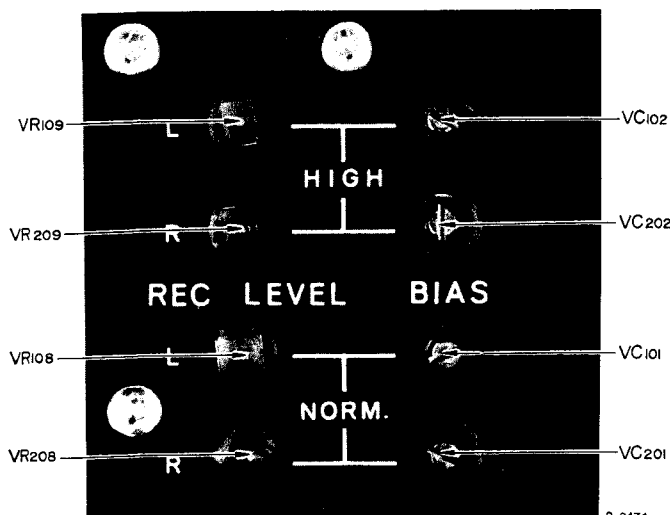


Fig. 7-2 REC Level Bias Adjustable Location

NOTE

HIGH: For use with high performance tapes such as Scotch 203 or BASF LP-35LH.
NORMAL: For use with conventional tape such as Scotch 150 or equivalent.

VR103/203 PLAYBACK LEVEL SET
 VR104/204 VU METER CAL. -NORMAL-
 VR107/207 VU METER CAL. -HIGH-
 VR101/201 PLAYBACK EQ. (7-1/2ips)
 VR102/202 PLAYBACK EQ. (3-3/4ips)
 VR105/205 INPUT LEVEL SET
 VR106/206 VU METER CAL. -INPUT-
 L103/203 BIAS TRAP -REC AMP-
 L101/201 BIAS TRAP -LINE OUT-
 L102/202 REC EQ. FOR 7-1/2ips.

VC102/202 HIGH, BIAS ADJ.
 VC101/201 NORMAL, BIAS ADJ.
 VR109/209 HIGH, REC LEVEL SET
 VR108/208 NORMAL, REC LEVEL SET

PLAYBACK PERFORMANCE

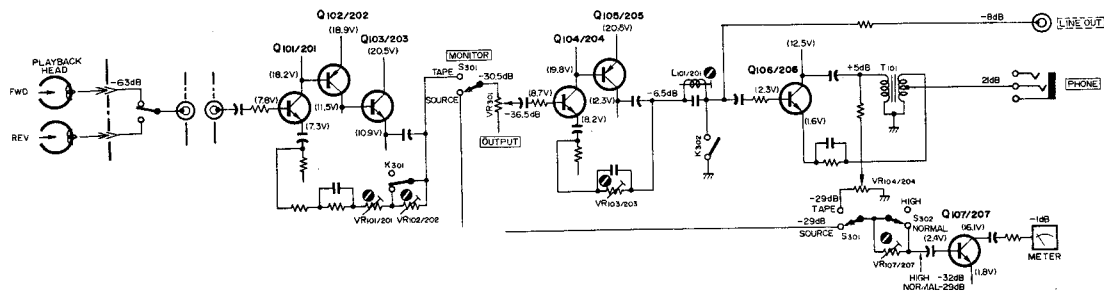


Fig. 7-3 Simplified Diagram -Playback-

PLAYBACK HEAD AZIMUTH ADJUSTMENT

Coarse Adjustment

1. Connect a level meter to either LINE OUT jack.
2. Thread a TEAC test tape YTT-1003 on the unit.
3. Play the 15kHz test tone in section 2 of the test tape.
4. Slowly rotate the azimuth screw until maximum indication is obtained on the level meter. Repeat step 4, procedure for reverse head.

NOTE

If during playback, a slight pressure on the heads results in a rise of the reading of the level meter, head alignment adjustments should be accomplished.

Fine Adjustment

CAUTION

After coarse adjustment, do not make large corrections, turn Azimuth screw 1/4 turn or less.

5. It is absolutely essential to accomplish the coarse adjustment before using this method to avoid phase errors larger than 45°.
6. Connect the test equipment as shown in Fig. 7-10
7. Play a 10kHz signal and adjust the azimuth screw until the oscilloscope shows that the signals are less than 45° in phase. Repeat above step for reverse head.
8. Secure the screw with a drop of LOCTITE.

SPECIFIED OUTPUT LEVEL SET

NOTE

Connect a 10kohm load to the LINE OUT jacks when not using the TEAC M-826A output meter.

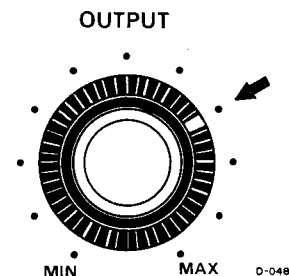
9. Play the 400Hz tone in section 1 of the test tape. This tone is recorded at operating reference level (1% of the THD level).
10. Turn the OUTPUT controls to the two o'clock position.
11. Adjust VR103/203 for -8dB reading on level meter.

NOTE

Level differences during forward and reverse playback should not exceed 2dB. If larger, clean and demagnetize heads, check the head alignment.

IMPORTANT

This is the specified output level set. Do not disturb this setting until the remaining adjustments have been completed.



VU METER CALIBRATION -PLAYBACK-

12. While playing the 400Hz tone (1% THD) in section 1 of the test tape, RECORD LEVEL switch in NORMAL, adjust VR104/204 for reading of 0 VU on the VU meter.
RECORD LEVEL switch in HIGH, adjust VR107/207 for reading of -3 VU on the VU meter.

FREQUENCY RESPONSE

13. Play the test tones from 15kHz down to 40Hz. (Recorded at 10dB below operating reference level.)
14. Compare the readings obtained on the level meter with the response limits given in Fig. 7-4
15. If adjustment is required, adjust VR101/201 at 7-1/2ips and VR102/202 at 3-3/4ips. Adjust these trimmers for most even VU meter readings above 7.5kHz, trying to bring them as close as possible to the 400Hz reference reading.

NOTE

Setting of VR101/102 should be done in forward mode, at 7-1/2ips. Do not adjust in reverse mode or at 3-3/4ips.

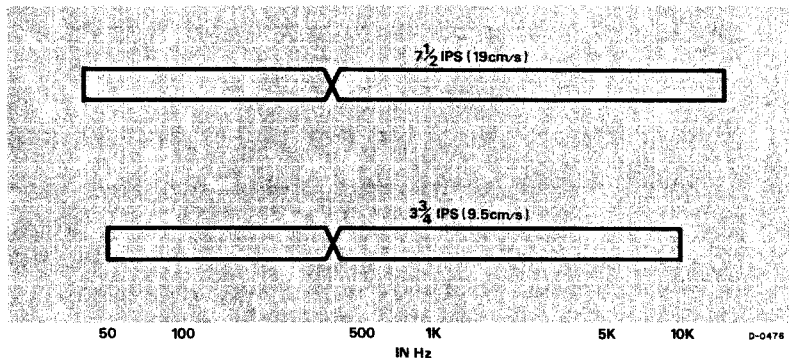


Fig. 7-4 Frequency Response Limits -Playback-

LEVEL VARIATION

16. With a level meter connected to the LINE OUT jacks and using the TEAC test tape the readings listed below should be obtained at the specified frequency and tape speed.

- 7-1/2ips: 0.5dB at 400Hz
- 1.0dB at 15kHz
- 3-3/4ips: 1.0dB at 10kHz

SIGNAL TO NOISE RATIO

IMPORTANT

Output control should be at specified output level. The signal to noise ratio must meet factory standards. The values given are obtained using an unweighted level meter while the supply and take up motors are running. The values are with reference to a 3% THD level.

1. Thread a tape on the unit, leaving the tape outside the capstan and pinch roller.
2. Place the unit in the PLAY mode (▷) (the tape will not move).
3. The level meter connected to the LINE OUT jacks should indicate 58dB or less.
4. This corresponds to a signal to noise ratio of 50dB (difference between residual noise -58dB and specified output level -8dB for 1% THD). For a 3% THD signal to noise ratio, 6dB is added, giving 56dB (3% THD is 6dB above 1% THD level).

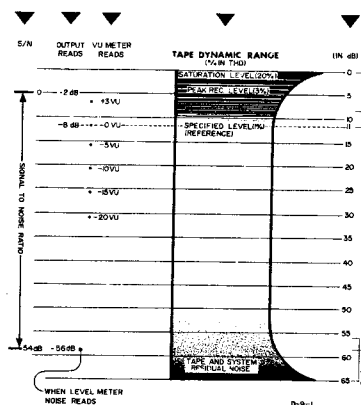


Fig. 7-5 Signal/Noise Computation

MONITOR PERFORMANCE

MINIMUM INPUT LEVEL ADJUSTMENT

LINE Input

1. Connect an AF oscillator to the LINE IN jacks.
2. Apply a 400Hz signal at -18dB.
3. Place the MONITOR switch in the SOURCE position and turn the LINE controls fully clockwise.
4. Adjust VR105/205 to obtain a specified output level of -8dB at LINE OUT jacks.

MIC Input

5. After adjusting VR105/205, apply a 400Hz signal at -70dB to the MIC IN jacks.
6. Rotate the MIC controls fully clockwise.
7. The output should be -8dB (specified output level).

NOTE

Mic input requires no adjustment, only an operational check. After completing the check rotate mic controls fully counter-clockwise to eliminate noise from mic jacks or mic preamplifiers.

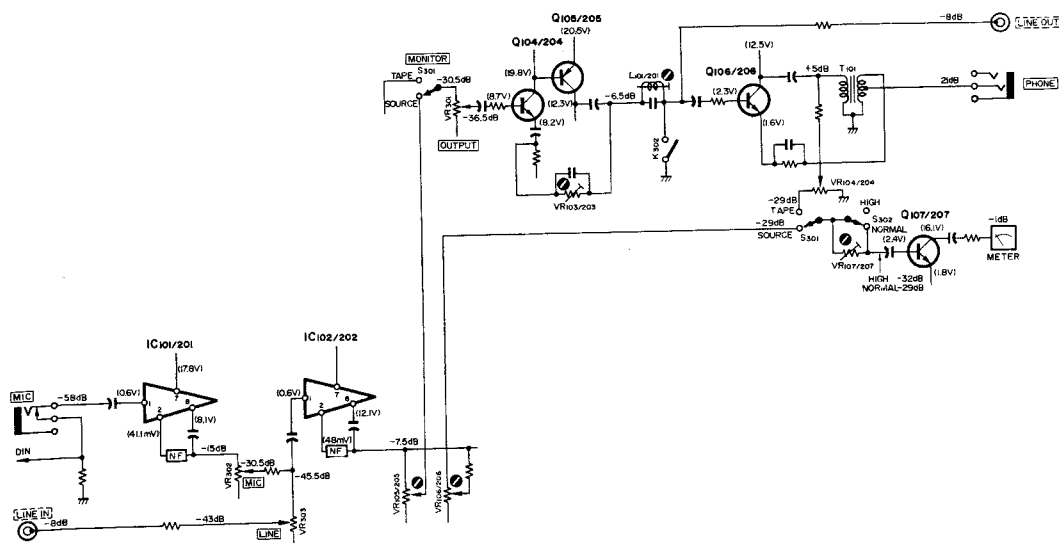


Fig. 7-6 Simplified Diagram -Monitor-

SPECIFIED INPUT LEVEL SET _____

8. Apply a 400Hz signal at -8dB to the LINE IN jacks.
9. Adjust the LINE controls with reference marks aligned for -8dB at the LINE OUT jacks.

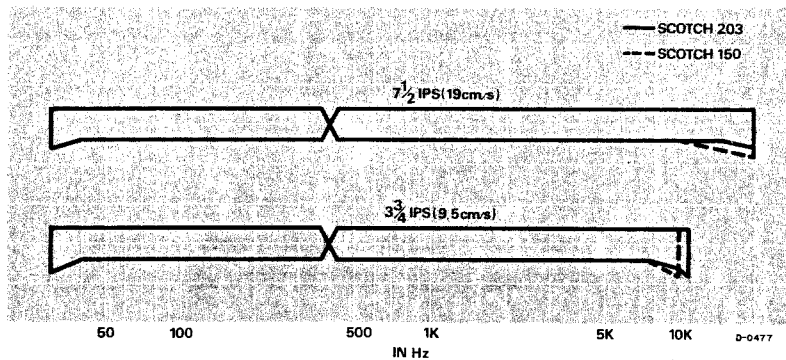
NOTE

Do not disturb the specified input level position of these controls until the remaining checks and adjustments are completed.

The difference between the channels must not exceed 2dB as indicated on the level meter. If it is not within limits, check the amplifier gain, the LINE controls reference marks should be together.

VU METER CALIBRATION -RECORD- _____

10. With the same 400Hz signal at -8dB applied and the MONITOR switch in SOURCE, adjust VR106/206 for 0 VU on the VU meters.



Frequency Response Limites -Record-

RECORD PERFORMANCE

IMPORTANT

Before making any adjustments on the record amplifier, be sure that all tests in the HEAD ALIGNMENT, PLAYBACK and MONITOR PERFORMANCE sections have been accomplished and that all adjustments are correct.

Optimum recording performance (Bias levels, recording levels and frequency response) is dependent upon tape characteristics. The TEAC A-6010SL is factory set for Scotch type 203 tape. Service data is based upon the use of Scotch 203 or equivalent tape.

NOTE

The bias trap tank circuit keeps the bias signal from reaching the record and monitor amplifier and under normal no signal conditions, voltage should not be present at the LINE OUT jacks.

BIAS TRAP ADJUSTMENT

1. Thread a blank tape or block tension arm in on position.
2. Place the mode L·R switches up.
3. Place the bias switch to HIGH and place the unit in the RECORD mode. Place the RECORD LEVEL switch in the NORMAL position.
4. Connect a VTVM to the junction of L103, R145.
5. Adjust L103 for a minimum reading.
6. Connect the VTVM to the junction of L203, R245. Adjust L203 for a minimum reading.
7. Adjust L101, L201 for a minimum reading at LINE OUT jacks.

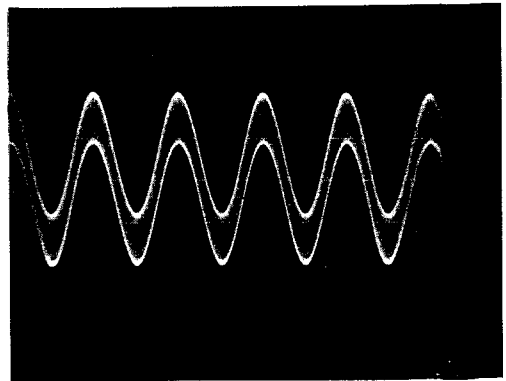


Fig. 7-7 Bias Leakage

BIAS ADJUSTMENT

NOTE

These adjustment are only made at 7-1/2ips tape speed, The bias oscillator frequency is 100kHz(±10kHz).

HIGH position

1. Thread record test tape Scotch 203 on the unit.
2. Place the bias switch to HIGH and place the unit in the record mode. Place the MONITOR switch in the TAPE position, LEVEL switch to NORMAL.
3. Adjust capacitor VC102/202 for a peak on the level meter.
4. Turn the capacitors clockwise until a decrease of 0.5dB is obtained.

NORMAL position

5. Thread record test tape Scotch 150 on the unit.
6. Place the bias switch to NORMAL and place the unit in the record mode.
7. Adjust capacitor VC101 and VC201 for a peak on the level meter. Turn the capacitors clockwise until a decrease of 0.5dB is obtained.

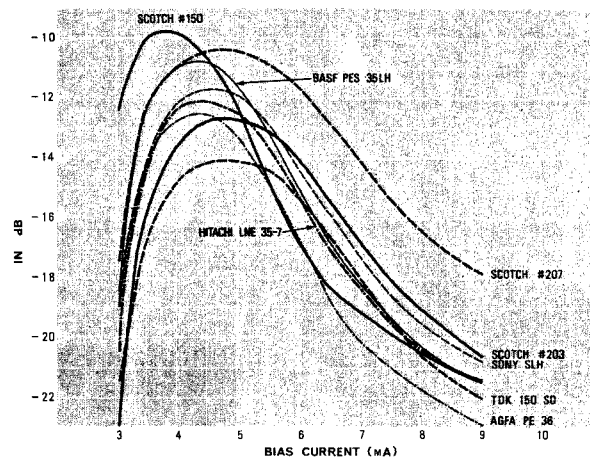


Fig. 7-8 Bias Current Characteristic

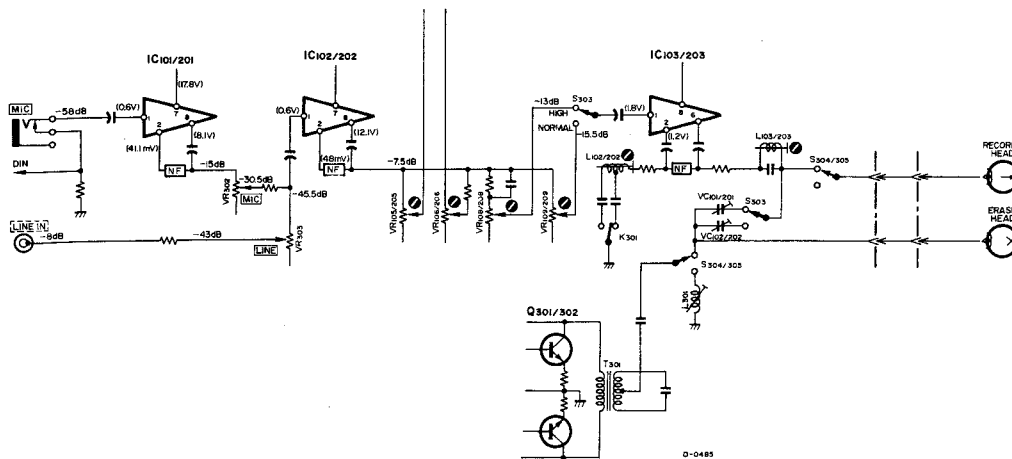


Fig. 7-9 Simplified Diagram -Record-

RECORD HEAD AZIMUTH ADJUSTMENT

Coarse Adjustment

NOTE

The effect of turning the azimuth screw will not immediately register on the level meter. A slight delay will be noticed. Therefore, the screw must be rotated slightly, and then pause to see the effect.

1. Connect a Level Meter to the LINE OUT jacks and an AF oscillator to the LINE IN jacks.
2. Place the MONITOR switch to SOURCE and adjust the AF oscillator to obtain a signal of 15dB below the specified output level. (The level meter will indicate -23dB.)
3. Make certain that the LINE control is at the specified input level position, then set the AF oscillator to 10kHz.
4. Thread a record test tape on the unit and place the mode L·R switches up.
5. Place the MONITOR switch in the TAPE position.
6. Adjust the azimuth screw for maximum indication of the level meter.

Fine Adjustment

NOTE

It is absolutely essential to accomplish the coarse adjustment before using this method, to avoid phase error larger than 45°

7. Connect the test equipment as shown in Fig. 7-10
8. Apply a 7.5kHz signal at -23dB to the LINE IN jacks and record this signal.
9. Carefully adjust the azimuth screw until the oscilloscope shows the signal to be in phase.
10. Secure the screw with a drop of LOCTITE.

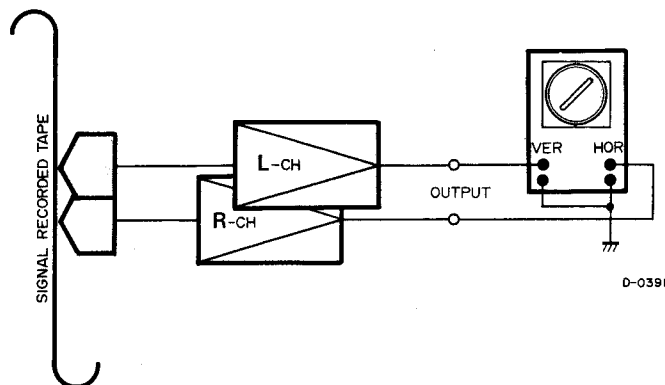


Fig. 7-10 Fine Adjustment Set-Up -Head Azimuth-

RECORD LEVEL SET

1. The OUTPUT controls must be at the specified output level position (-8dB at LINE OUT jacks).
2. Apply a 500Hz signal at -8dB to the LINE IN jacks.
3. Thread record test tape Scotch 203 on the unit, then set the BIAS switch to HIGH position.
4. Place the unit in the stereo record mode with the MONITOR switch in the TAPE position.
5. Adjust VR109/209 for a reading of 0 VU on the VU meters (-8dB at the LINE OUT jacks).

NOTE

Adjustment of REC level VR109/209 or VU meter VR108/208 calibration will interact, after adjusting VR109/209, recheck VR108/208 to ascertain that it is still correct.
Set LEVEL switch to HIGH if using low noise/high output tape and to NORMAL if using conventional tape.
The OUTPUT/LINE controls must be at the specified position.

OVERALL FREQUENCY RESPONSE

IMPORTANT

To avoid saturation of the tape, these checks should be made at least 15dB below the specified input level.

Any bias signal feeding into the test equipment should be filtered out by adjusting the external bias trap. A broad band VTVM may be used on the output of the unit for this adjustment.

1. Adjust the AF-oscillator to obtain an output level of -23dB (approx. 15dB below specified output level) at LINE OUT jacks.
2. Place BIAS switch in HIGH position, thread Scotch 203 tape on machine.
3. Apply a signal swept from 50Hz to 15kHz and record it on the test tape.
4. Repeat the above procedure for 3-3/4ips using a signal swept from 50Hz to 7.5kHz. Refer to for response limits.

Since response of TEAC M-826 falls off sharply above 20kHz the extra bias trap is not required.

No adjustment is given for this procedure.

5. Thread the Scotch 150 tape on the unit.
6. Place the BIAS switch in the NORMAL position.
7. Repeat the overall response check at both tape speeds.
8. The record equalization should give the proper frequency response.

NOTE

If adjustment is required, adjust L102/202. These coils are in use for both tape speeds and should be adjusted at 7-1/2ips. If the coil adjustments do not help, then change the value of C140/240 for 7-1/2ips and C141/241 for 3-3/4ips. Adjust this circuit for most even LEVEL VU meter readings, trying to bring them as close as possible to the 400Hz reference reading.

OVERALL SIGNAL TO NOISE RATIO

IMPORTANT

Clean and demagnetize the heads before proceeding. It is extremely important that all tests described in the proceeding paragraphs have been completed and that all controls adjusted are left unaltered.

1. Thread a record test tape (Scotch 203) on the unit.
2. Remove the AF oscillator from the LINE IN jacks.
3. Place the unit in the RECORD mode with no signal applied.

NOTE

Noise readings, when taken while recording, may be affected by the bias signal which could be leaking through. It is therefore good practice to rewind the no signal recorded section and take the noise reading during playback.

4. Note the point on the index counter where recording begins.
5. Rewind the tape and play it back.
6. The noise level as indicated on the level meter should be -56dB

NOTE

Bias, erase and playback amplifier noise are all included in this measurement.
All frequencies between 40Hz and 15kHz are measured unweighted.

LEVEL VARIATION

A LEVEL METER connected to the LINE OUT jack should indicate the readings listed below at the specified frequency and tape speed using Scotch 203 as the test tape.

7-1/2ips: 0.5dB at 400Hz

1.5dB at 15kHz

3-3/4ips: 2dB at 10kHz

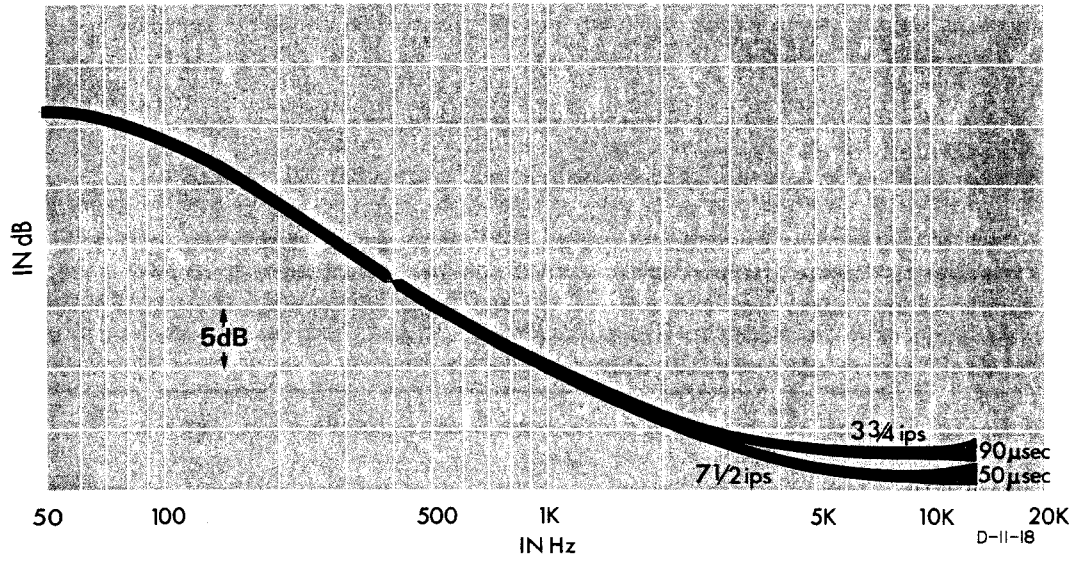
ERASE EFFICIENCY

NOTE

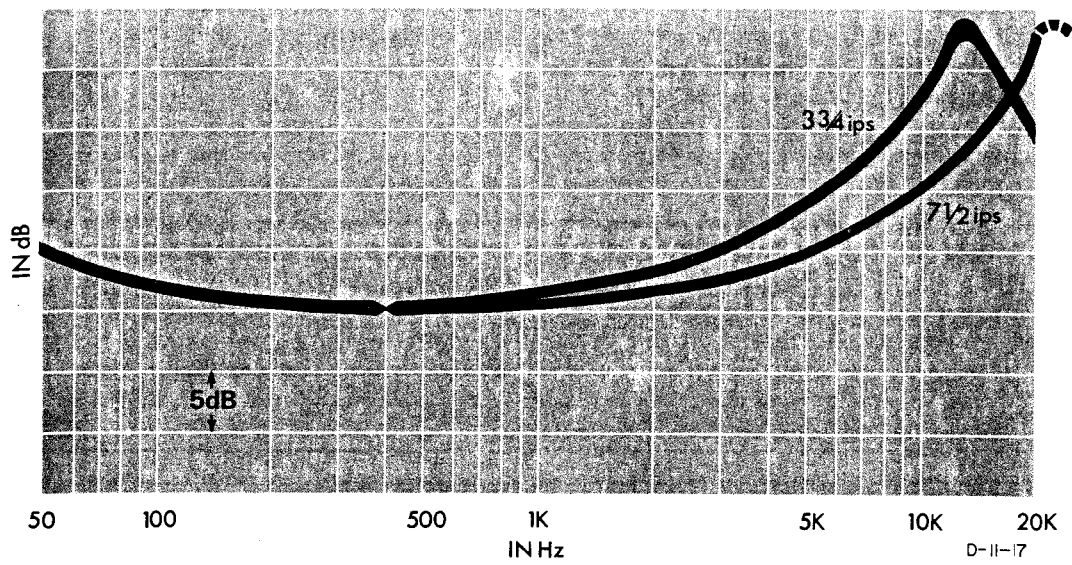
To measure erase efficiency, a 1kHz band pass filter (TEAC M204 CL filter) must be used.

Due to the high level of this signal, it is recommended that only a short recording be made (approximately 30 seconds) to prevent damage to the VU meter.

1. Apply a 1kHz signal at 0dB to the LINE IN jacks.
2. Place the unit in record mode and record this signal.
3. Rewind the recording to the beginning and remove the AF oscillator from the LINE IN jacks.
4. Place the unit in record mode and record over this portion of tape again.
5. Rewind the tape to the starting point and connect a level meter to the LINE OUT jack through the 1kHz band pass filter.
6. Play the erased portion of the tape.
7. The level meter should indicate -73dB or more.



PLAYBACK EQUALIZATION CURVES



RECORD EQUALIZATION CURVES

Fig. 7-11 Typical Response Curve

8 PREVENTIVE MAINTENANCE

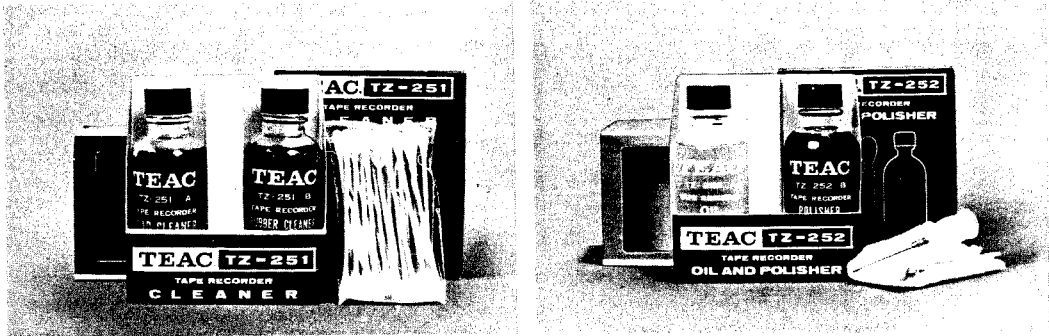


Fig. 8-1 Maintenance Equipment

CLEANING

When excess oxide accumulates on the surface of components where tape passes, normal operation and characteristics cannot be expected. Periodic cleaning should be done with proper cleaning materials. Refer to Operating Instructions.

DEMAGNETIZATION

Metal parts in contact with the tape will become magnetized after long periods of use (except erase head). Magnetization of record/playback heads causes noise in recording and reproduction and should be demagnetized at every 50 hours of use, and before any important recording is done. Refer to Operating Instructions.

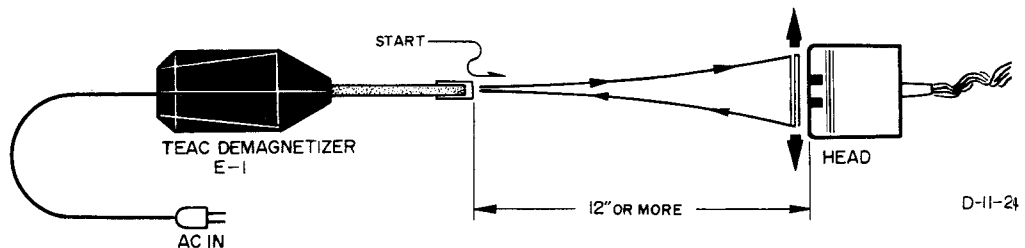


Fig. 8-2 Demagnetization

LUBRICATION

Under normal conditions the unit will not require lubrication. Most of the bearings and bushings are of the oilless type. Since there are many rubber parts in the transport mechanism, excessive or improper lubrication could cause problems. If lubrication is required, the following points should be lubricated:

Capstan bearing, pinch roller shaft.....1 drop
Motor.....1 - 2 drops in the plastic tube

Parts to be lubricated should be cleaned and old oil and dirt removed before relubricating. Observe instructions as to type of oil, points to be lubricated and amount of lubrication required.

Motors should be lubricated immediately after use while still warm. After oiling motors keep the unit in the horizontal position for 2-3 hours to allow thorough absorption of oil.

VENTILATION

During use the face plate of the A-6010SL may become quite warm to the touch, this is entirely normal.

As long as the air vents in the rear plate are unobstructed, the unit will not overheat.

However, if the unit is placed snugly against a wall, or free air passage is prevented, overheating and possible damage may occur.

9 TROUBLE SHOOTING

NOTE

About 50% of the units that are returned for repair do not function properly due to poor connections, dirty heads, poor tape, or improper operation.

Therefore, read your operating instructions and take a minute to carefully check the machine yourself before shipping it back for repair.

The following guide lists specific difficulties that could occur in the A-6010SL.

Several possible causes are listed for each malfunction. Visually inspect the unit for any damage such as broken or burned components or wiring, loose connections, etc.

MALFUNCTION	POSSIBLE SOURCE OF TROUBLE	CORRECTIVE PROCEDURE
Capstan fails to turn	Belt off or slipping, line fuse (F-2), auto-shutoff switch(S-13), phase advance capacitor (C-3), reverse play relay (K-6), speed select switch (S-3).	Refer to schematic diagram and repair or replace the defective components.
Pinch roller fails to contact capstan in play mode	AC voltage selector switch (S-17), position, remote control jumper plug not installed or loose, stop switch(S-17), reverse play relay(K-6), switch(S-16), delay relay(K-2), fast relay(K-3), capstan solenoid.	The normal DC resistance of the capstan solenoid is 1.3k ohms. Refer to schematic diagram and repair or replace the defective components.
Right reel does not rotate in the play mode	Delay relay(K-2), reverse play relay (K-6), resistor (R-3), fast relay(K-3), capacitor(C-4).	Refer to schematic diagram and repair or replace the defective components.
Left reel does not rotate in play mode	Delay relay(K-2), reverse play relay(K-6), resistor (R-4), fast relay (K-3), capacitor (C-5)	Refer to schematic diagram and repair or replace the defective components.
Left reel operates with low torque	Resistor(R-4), tension switch(S-2)	Repair or replace defective components.
Both reel motors fail to operate	Operating relay(K-1)	Clean contacts on (K-1) or replace relay.
Recorder does not operate in forward play	Remote control jumper plug missing or loose, reverse play(K-6), switch(S-8), signal record switch(S-5), operate relay(K-1), brake solenoid(L-1)	Normal DC resistance of the brake solenoid is 1.3k ohms. Refer to schematic diagram and repair or replace the defective components.

MALFUNCTION	POSSIBLE SOURCE OF TROUBLE	CORRECTIVE PROCEDURE
Recorder does not operate in reverse play	Remote control jumper plug missing or loose, stop switch(S-9), switch(S-14), resistor(R-8), reverse relay(K-5)	Refer to schematic diagram and repair or replace the defective components.
Pinch roller 4 second delay faulty	Reverse relay(K-5), resistor(R-10), capacitor(C-8), delay relay(K-2)	Refer to schematic diagram and repair or replace the defective components.
Fast forward or rewind mode inoperative	Reverse relay(K-5), fast relay(K-3)	Refer to schematic diagram and repair or replace the defective components.
No record and/or no erase	Record head dirty, erase head dirty, operate relay (K-1), Auto Reverse switch (S-4) in "ON" Position, record switch(S-8), record relay(K-7), record amplifier, bias oscillator, record head, erase head.	Refer to schematic diagram and repair or replace the defective components. For record amplifier troubleshooting refer to voltage chart.
No playback	Playback head dirty, amplifier to deck connections, monitor switch(S-301), playback amplifier	Refer to playback amplifier voltage chart.
Auto-reverse does not function with sensing foil	Foil length too short, sensing post dirty.	Foil should be 1/2" long. Clean sensing post.
Auto-reverse does not function with PSS signal	Defective(old) tape, signal too short in duration, record head dirty, switch(S-4), switch(S-5), resistor(R-13), capacitor(C-9), resistor (R-12), autoreverse amplifier faulty	Repair or replace defective components. The autoreverse signal duration should be 1 to 2 seconds.

MALFUNCTION	POSSIBLE SOURCE OF TROUBLE	CORRECTIVE PROCEDURE
Repeat operation faulty	Foil length too short, sensing post dirty, repeat switch (S-7) not on or faulty, repeat unit faulty.	There is a built-in 40-second recycling period for the repeat unit. It will not operate if a repeat cycle of less than 40 seconds is required.
Playback noise or hum	Faulty connections, head selector relay (K-8), faulty playback head. Faulty Playback Amplifier.	Repair or replace defective components.
Noise or hum during record	Magnetized head, faulty connections, Mic level set to maximum, switch (S-5), switch (S-4), record relay (K-7), faulty head. Faulty Record Amplifier.	Demagnetize and clean head, repair or replace defective components.
Wow & flutter	Defective tape, dirty or defective pinch roller, oily or defective belt, reel motor tension.	Clean or replace defective components. Adjust motor tension.
Incorrect tape speed	50/60Hz cycle change knob in wrong position. Incorrect pinch roller pressure.	Reset cycle change knob. Adjust pinch roller pressure.
Brakes do not release	Defective brake solenoid	The D.C. resistance of the brake solenoid should be 1.6k ohms. Replace solenoid.

PHASE SENSING SYSTEM: _____

The phase sensing reverse utilizes a separate amplifier located on the bottom of the A-6010SL transport section.

When the SIGNAL RECORD and (▷) buttons are depressed, the AC line frequency(50 or 60Hz) signal is recorded on the tape at a level of approximately +10 - 11dB. This signal, however, is recorded out of phase between the left and right channels since one of the record head poles is electrically reversed during this mode. During playback with the AUTO REVERSE ON, the record heads act as the sensing device and are connected out of phase as they were during the recording of the reversing signal.

Because the heads are now out of phase in respect to the normal audio signals they generate very little or no output since the signals tend to cancel each other out. However, when the previously recorded, out of phase, reversing signal reaches the recording head it is now in phase in respect to the record head and generates a signal which is amplified, rectified and utilized to energize the reverse relay.

It is feasible that a strong signal with no counterpart on the other channel to cancel it out could cause the recorder to reverse. However, proper adjustment of the reversing amplifier sensitivity control will eliminate this possibility.

It must be understood that the reversing signal is recorded at such a high level that normal signals do not approach this level.

Phase Sensing System Adjustments: _____

1. Thread a blank tape (THIN tape) on the recorder and set MONITOR switch to TAPE.
2. Place the MODE L·R switches in the UP position.
3. Place the AUTO REVERSE switch in the ON position.
Depress the SIGNAL RECORD and the (▷) button for approximately
4. 2 seconds.
5. Rewind the tape to the start of the recorded signal and press the (▷) button.
6. Adjust VR-1 until the recorder stops and reverses. (see below.)
7. Rewind the tape once more and check to see if the recorder stops and reverses, then increase the sensitivity of VR-1 slightly.

NOTE

If the use of THIN tape is not anticipated, the above adjustments can be made with REGULAR tape.

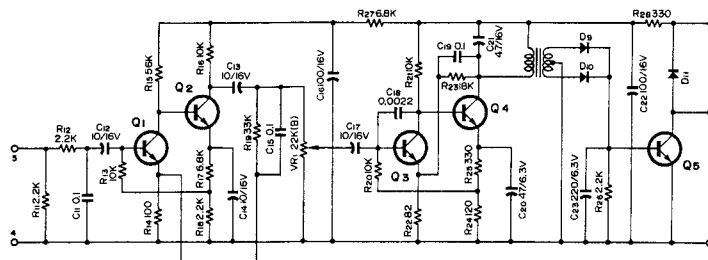


Fig. 10-1 P.S Reverse Amplifier Schematic Diagram

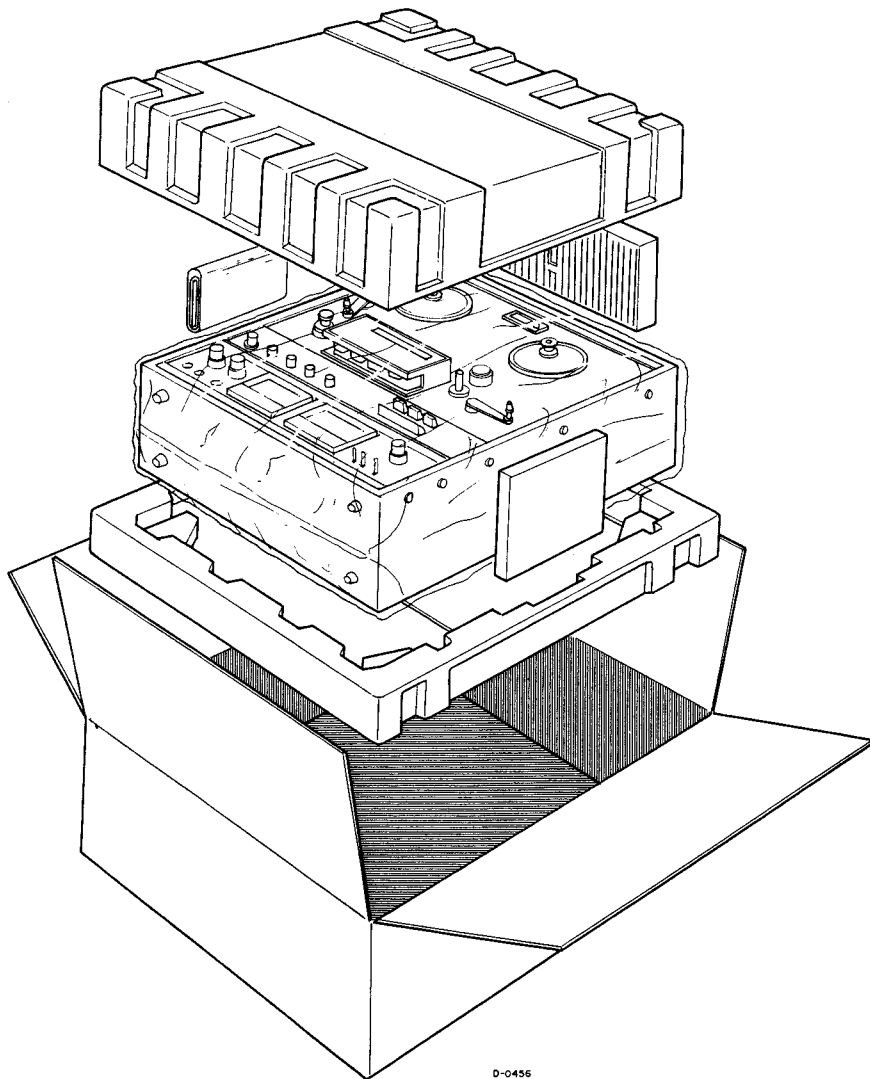
10 WARRANTY

Your TEAC equipment has been manufactured under strictest quality control. Its normal operation is under warranty. However, warranty terms may vary with the country(area) in which it was purchased and for different models of equipment. The warranty terms are fully described in the enclosed warranty card. Please read the card for complete details.

11 PACKING FOR SHIPMENT

SHIPPING INSTRUCTIONS

If the unit is to be sent back to the TEAC factory (service department) for repair, carefully pack as shown below.



D-0456



CHANGES ADDED

The following features are added to the new A-6010SL.
The other controls are the same as on A-6010.

-REC BIAS-

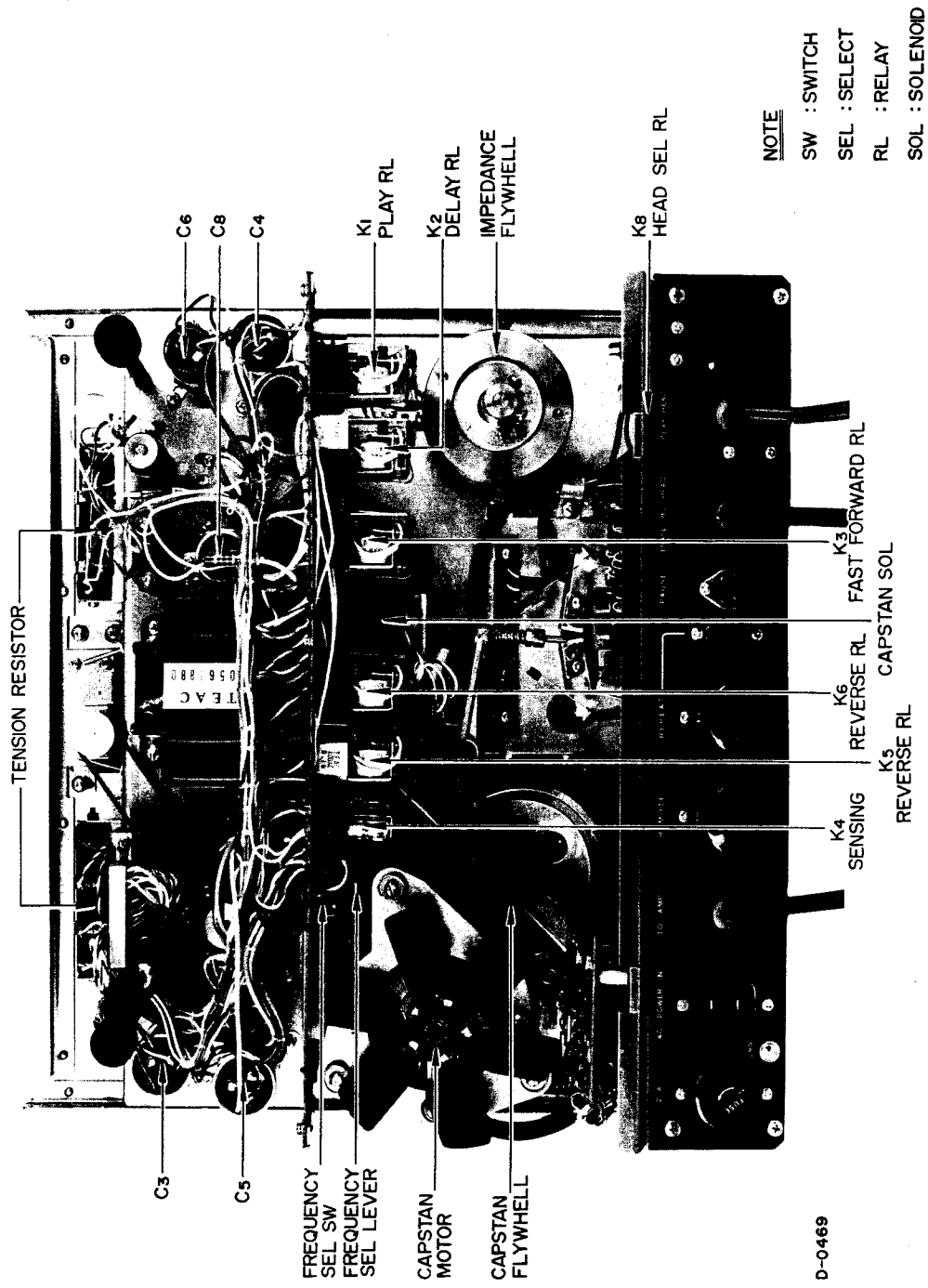
1. Bias level indicator lamp: Glows red when high position is selected with record BIAS switch.

-REC LEVEL-

2. Meter level indicator lamp: Glows violet when high position is selected with meter LEVEL switch.
3. VU meter cover is black.
4. Record channel selector switches(MODE L·R). Selects channel or channels to be recorded.
5. Record bias switch(BIAS): Selects proper bias signal level for type tape being recorded.
HIGH position; is for use with HIGH output/low noise tape, such as Scotch 203 or BASF LP-35LH.
NORMAL position; is for use with conventional tapes, such as Scotch 150.
6. Meter level switch(LEVEL):
HIGH position; expands the VU meter scale for recording or playback of high performance tapes, such as Scotch 203 or BASF LP-35LH.
NORMAL position; for use when recording or playing back conventional tapes, such as Scotch 150.



TAPE TRANSPORT PARTS LOCATION

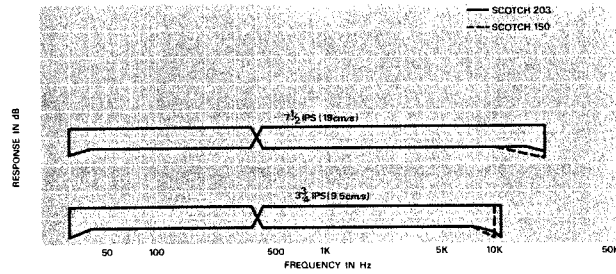


D-0469

-- REAR --

ADDENDUM CHANGE SHEET

Chart below applies to "Overall Frequency Response" section step 4.



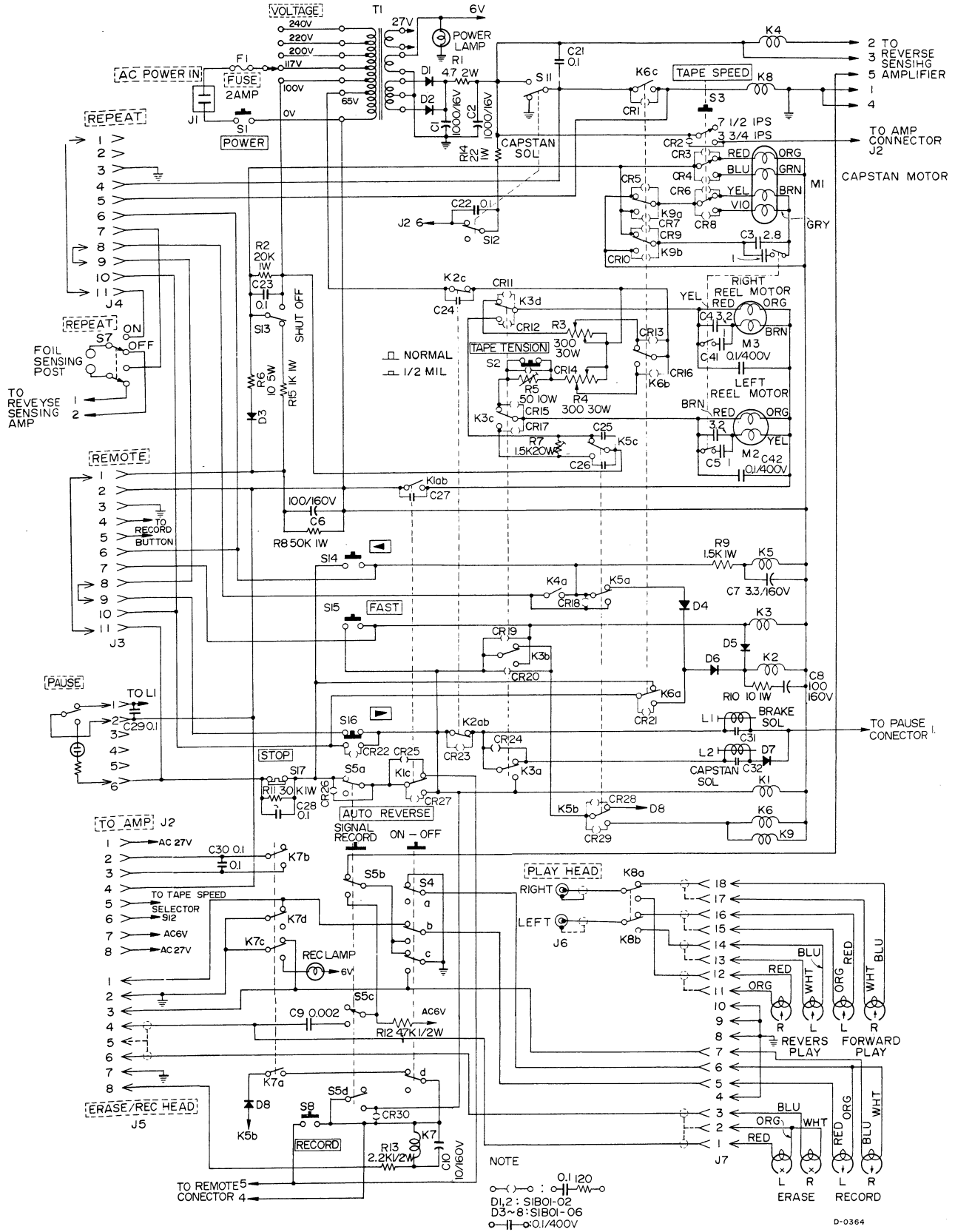
Frequency Response Limit Chart

Change last sentence in step 4 to read "Refer to Frequency Response Limit Chart for response limits".



12 SCHEMATIC DIAGRAM

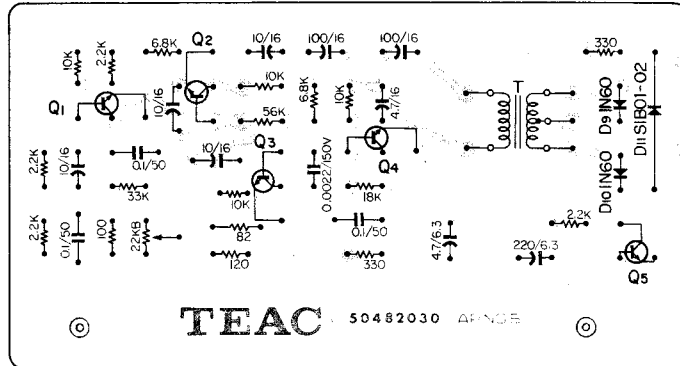
TAPE TRANSPORT



13 PRINTED CIRCUIT BOARD AND PARTS LIST

FOR MODEL

AUTO REVERSE AMPLIFIER (P.S. AMP)

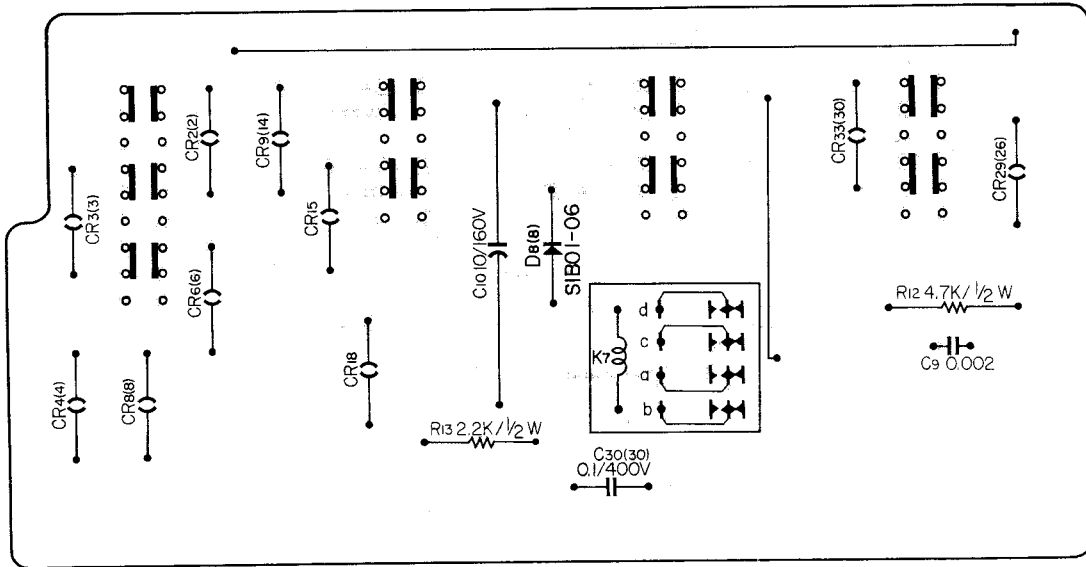


Q1-Q4: 2SC733-Y, T: 50562100
Q5: 2SC971

N-0440

REF NO.	TEAC PARTS NO.	DESCRIPTION	1ST	2ND	3RD
2-49-1	50489280	PC Board Assy, Auto Reverse Amp			
	50482030	PC Board, Auto Reverse Amp			
	50442560	Diode, S1B01-02			
	50422130	Diode, (or IN-60), x 2			
	50562100	Transformer, Output			
		SILICON TRANSISTORS			
Q1	50423300	2SC693F or			
	50423510	2SC733(Y)			
Q2-Q4	50423830	2SC536F or			
	50423510	2SC733(Y)			
Q5	50423850	2SC971			
		CARBON RESISTORS			
	50515380	2.2k ohm 1/4W, x 4			
	50515490	10k ohm 1/4W, x 4			
	50515640	100 ohm 1/4W			
	50515610	56k ohm 1/4W			
	50515470	6.8k ohm 1/4W, x 2			
	50515570	33k ohm 1/4W			
	50515630	82 ohm 1/4W			
	50515520	18k ohm 1/4W			
	50515280	330 ohm 1/4W, x 2			
	50515230	120 ohm 1/4W			
		TRIMMER RESISTOR			
	50533560	22k ohm (B)			
		CAPACITORS			
	50554330	Elec. 220uF 6.3V			
	50554200	Elec. 100uF 16V			
	50554030	Elec. 47uF 6.3V			
	50554050	Elec. 10uF 16V			
	50548040	Mylar 0.1uF 50V			
	50548220	Mylar 0.0022uF 150V			
	50546170	Tantalum 4.7uF 16V			

RECORD RELAY ASSY

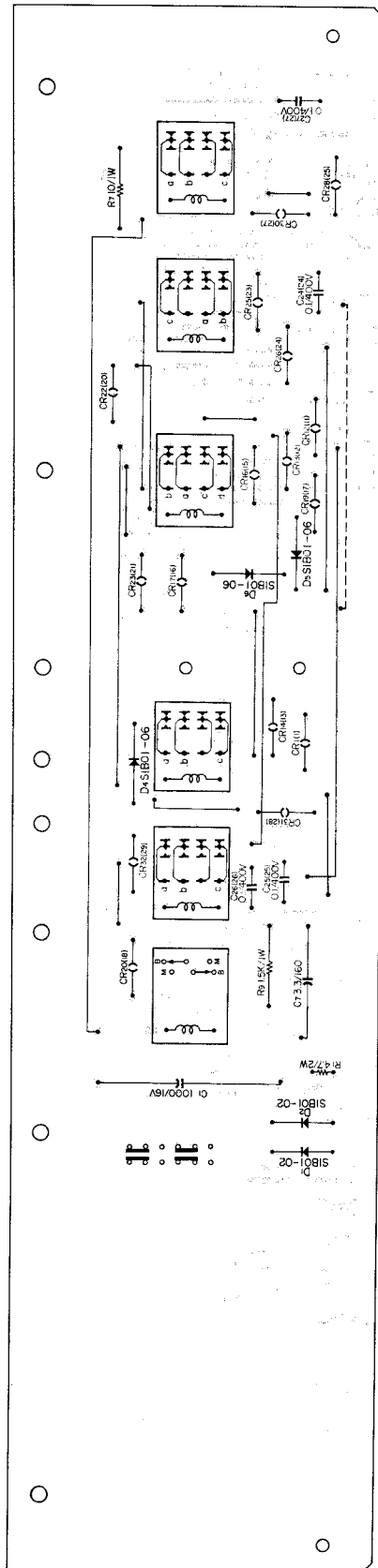


NOTE 0.1 120 0.1

N-C443

REF NO.	TEAC PARTS NO.	DESCRIPTION	1ST	2ND
4-4-1	50489270	PC Board Assy, Record Relay		
	50481990	PC Board, Record Relay		
	50443670	Push SW Assy		
	50610430	Relay, KGS K6-4P 100V		
	50555450	Cap., Elec. 10uF 160V		
	50548390	Cap., Metalized Mylar 0.1uF 400V		
	50548170	Cap., Mylar 0.0022uF 150V		
	50516380	Resistor, Carbon 2.2k 1/2W		
	50516440	Resistor, Carbon 4.7k 1/2W		
	50442570	Diode, S1B01-06		
	50529050	Spark Killer 0.1uF + 120 ohm, x 8		

CONTROL RELAY ASSY

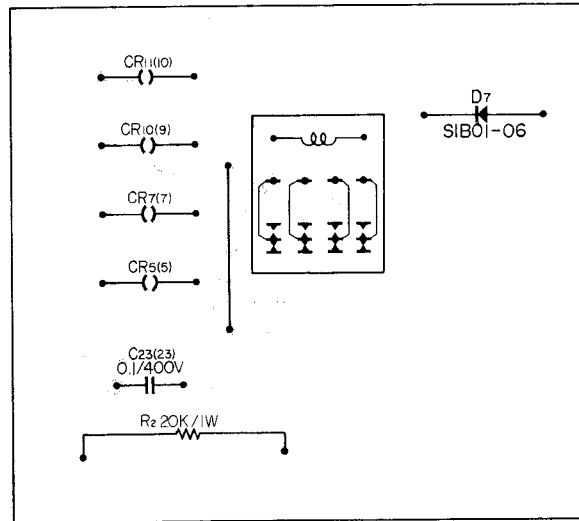


NOTE
----- A-6010SL ONLY

CONTROL RELAY ASSY

REF NO.	TEAC PARTS NO.	DESCRIPTION	1ST	2ND
5-4-1	50489330	PC Board Assy, Control Relay		
	50482040	PC Board, Control Relay		
	50610770	Relay, DC 100V RL-MY4PY1-0, x 5		
	50610780	Relay, DC 12V MH2ZPM1-0		
	50548390	Cap., Metalized Mylar 0.1uF/400V, x 5		
	50555360	Cap., Elec. 3.3uF/160V		
	50529050	Spark Killer, 0.1uF + 120 ohm, x 16		
	50525100	Resistor, Wire Wound 10 ohm 1W		
	50525920	Resistor, Wire Wound 4.7 ohm 1W		
	50527010	Resistor, 1.5k ohm 1W		
	50422570	Diode, S1B01-06, x 3		
D2·D3	50422560	Diode, S1B01-02, x 2		

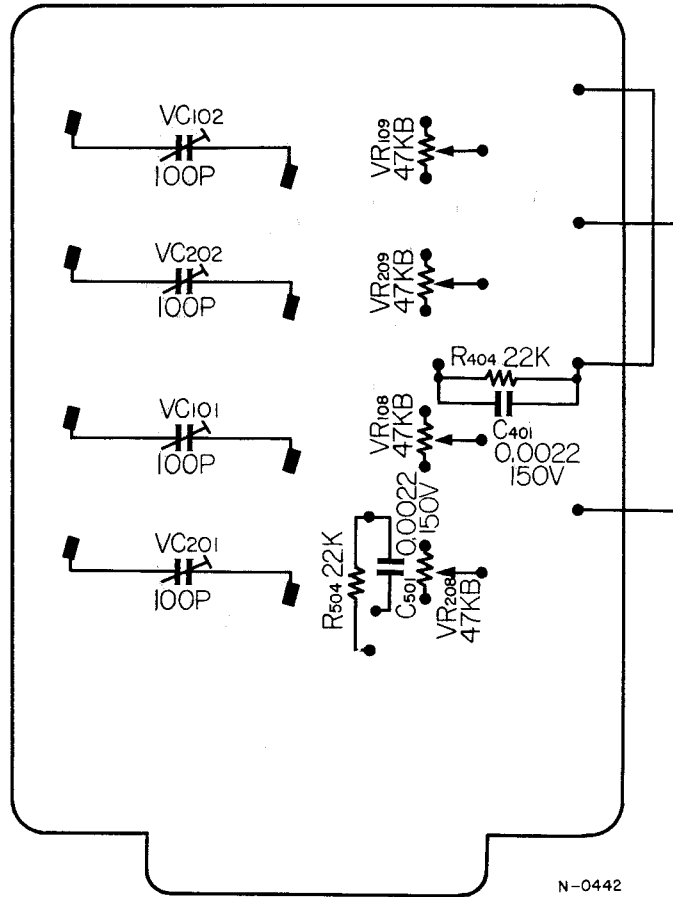
NOISE SUPPRESSION ASSY SPARK KILLER ASSY



NOTE : 120 0.1 N-0439

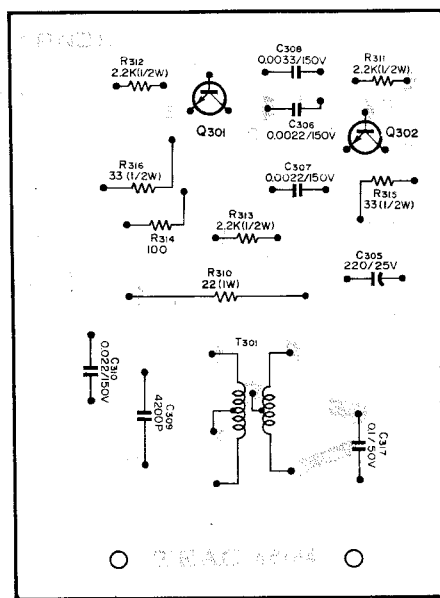
REF NO.	TEAC PARTS NO.	DESCRIPTION	1ST	2ND
4-38-1	50489220	PC Board Assy, Noise Suppression		
	50482860	PC Board, Noise Suppression		
	50548390	Cap., Metalized Mylar 0.1uF 400V		
	50526220	Resistor, Carbon 20k ohm 1W		
	50529050	Spark Killer 0.1uF + 120 ohm, x 4		
	50422570	Diode, S1B01-06		
	50610770	Relay, Miniature DC 100V		

BIAS ADJUST ASSY



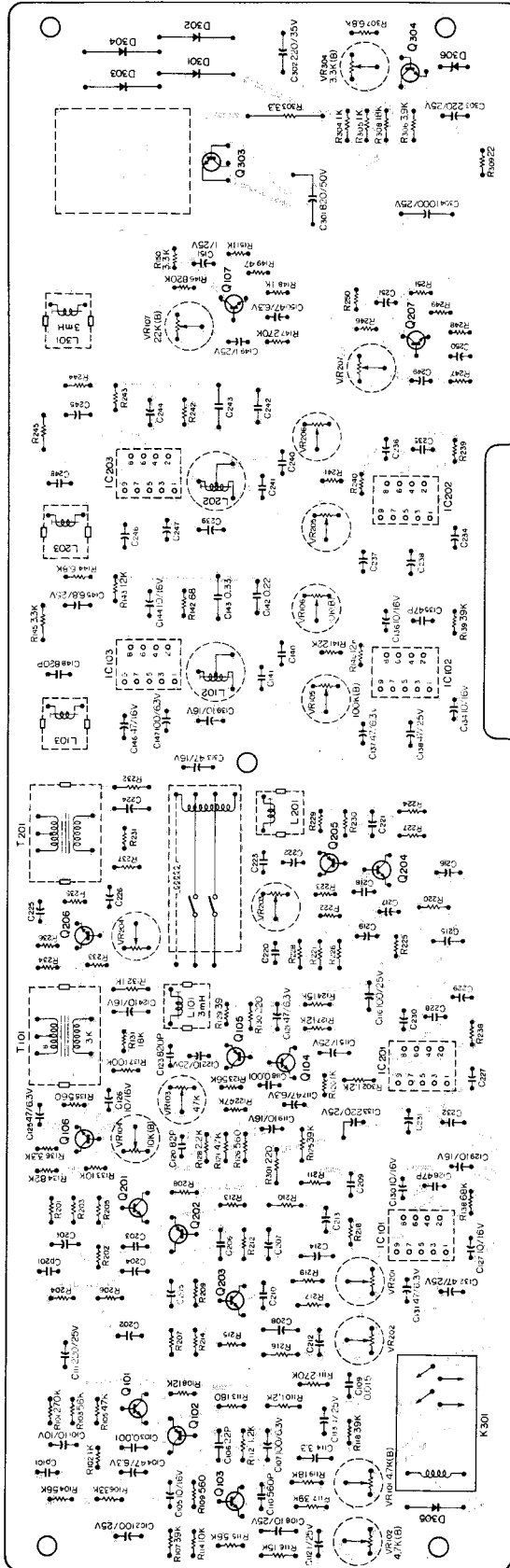
CIRCUIT REF NO.	TEAC PARTS NO.	DESCRIPTION	1ST	2ND
6-9	50489320	PC Board Assy, Bias Adjust		
	50481980	PC Board, Bias Adjust		
VR108/208	50533520	Trimmer Resistor 47k B		
VR109/209	50533520	Trimmer Resistor 47k B		
VC101/201	50547040	Trimmer Capacitor 100pF		
VC102/202	50547040	Trimmer Capacitor 100pF		
C401/501	50548820	Cap., Mylar 0.001uF/150V		
R404/504	50517100	Resistor, Carbon 22k 1/8W		

BIAS OSCILLATOR ASSY



CIRCUIT REF NO.	TEAC PARTS NO.	DESCRIPTION	1ST	2ND
6-11	50489300	PC Board Assy, Bias Osc.		
T301	50481840 50563170	PC Board, Bias Osc. Transformer, Oscillator		
		SILICON TRANSISTOR		
Q301-302	50423850	2SC971 (with Heat Sink)		
		RESISTORS		
R310	50525950	Wire Wound 22 ohm 1W		
R311-312	50514920	Carbon 2.2k ohm 1/2W		
R313	50514920	Carbon 2.2k ohm 1/2W		
R314	50515220	Carbon 100 ohm 1/4W		
R315-316	50514990	Carbon 33 ohm 1/2W		
		CAPACITORS		
C305				
C306-307	50548790	Mylar 0.0022uF/150V		
C308	50548530	Mylar 0.0033uF/150V		
C309	50544040	Mica 4200pF/250V		
C310	50548740	Mylar 0.022uF/150V		
C317	50548040	Mylar 0.1uF/50V		

PREAMPLIFIER



CIRCUIT REF NO	DESCRIPTION	QTY
C140 / 240	0.015	0.033
C141 / 241	0.033	0.015

CIRCUIT REF NO	DESCRIPTION	QTY
Q101 / 201	2SC1000BL	2SC971
Q102 / 202	2SA727L4	2SD235
Q103 / 203	2SC386E	2SC733Y
Q104 / 204	2SC386E	2SC733Y
Q105 / 205	2SA484L	TEA49709
Q106 / 206	2SC733Y or 2SC386E	TEA49709
Q107 / 207	2SC733Y or 2SC386E	TEA49710

PREAMPLIFIER

CIRCUIT REF NO.	TEAC PARTS NO.	DESCRIPTION	1ST	2ND
6-13	50489310	PC Board Assy, Preamplifier		
	50482830	PC Board, Preamplifier		
	50234870	Heat Sink		
K301	50610850	Relay, MH-4P 2ZM1-0		
K302	50610870	Relay, SBA-232J 12V		
T101/201	50562141	Transformer, Output 3k:8 ohm		
	50270160	Cushion Rubber Ring		
SILICON TRANSISTORS				
Q101/201	50423870	2SC1000(BL)		
Q102/202	50424170	2SA666(I) or		
	50424140	2SA572(YL4)		
Q103/203	50423310	2SC536(F)		
Q104/204	50424180	2SC693(Fa)		
Q105/205	50423870	2SA666(S) or 2SA494(Y)		
Q106/206	50423510	2SC733(Y) or 2SC828(R, S)		
Q107/207	50423310	2SC536(F) or		
		2SC828(R, S) or		
	50423510	2SC733(Y)		
Q303	50424190	2SD235 or		
		2SC1226(A-Q)		
Q304	50423510	2SC733(Y)		
INTEGRATED CIRCUITS				
IC101/201	50427090	LD-3120		
IC102/202	50427090	LD-3120		
IC103/203	50427100	LD-3141		
DIODES				
D301-304	50422560	SIB01-02		
D305	50422560	SIB01-02		
D306	50422580	Zener		
COILS				
L101/201	50566300	Record Compensation 4.2/2.4mH		
L102/202	50566370	Trap 3mH		
L103/203	50566300	Trap 3mH		
L301	50566500	Dummy Load		

PARTS LIST
A-6010SL

PREAMPLIFIER (CONTINUED)

CIRCUIT REF NO.	TEAC PARTS NO.	DESCRIPTION	1ST	2ND
CARBON RESISTORS				
<i>ALL RESISTORS IN OHMS, 10% TOLERANCE 1/4 WATTS AND FIXED CARBON FILM TYPE UNLESS OTHERWISE NOTED</i>				
R101/201	50515700	270k		
R102/202	50515340	1k		
R103/203	50515610	56k		
R104/204	50515610	56k		
R105/205	50515590	47k		
R106/206	50515570	33k		
R107/207	50515580	39k		
R108/208	50515500	12k		
R109/209	50515310	560		
R110/210	50515350	1.2k		
R111/211	50515700	270k		
R112/212	50515350	1.2k		
R113/213	50515250	180		
R114/214	50515490	10k		
R115/215	50515460	5.6k		
R116/216	50515510	15k		
R117/217	50515580	39k		
R118/218	50515580	39k		
R119/219	50515520	18k		
R120/220	50515340	1k		
R121/221	50519810	47k		
R122/222	50515590	47k		
R123/223	50515610	56k		
R124/224	50515510	15k		
R125/225	50515580	39k		
R126/226	50515310	560		
R127/227	50515500	12k		
R128/228	50515380	2.2k		
R129/229	50515160	39		
R130/230	50515260	220		
R131/231	50515520	18k		
R132/232	50515340	1k		
R133/233	50515490	10k		
R134/234	50515630	82k		
R135/235	50515310	560		
R136/236	50515410	3.3k		
R137/237	50515640	100k		
R138/238	50515620	68k		
R139/239	50515430	3.9k		
R140/240	50515500	12k		
R141/241	50515540	22k		
R142/242	50515200	68		
R143/243	50515500	12k		
R144/244	50515470	6.8k		
R145/245	50515410	3.3k		

PREAMPLIFIER (CONTINUED)

CIRCUIT REF NO.	TEAC PARTS NO.	DESCRIPTION	1ST	2ND
R146/246	50515680	220k		
R147/247	50515700	270k		
R148/248	50515340	1k		
R149/249	50515170	47		
R150/250	50515410	3.3k		
R151/251	50515340	1k		
R301	50515260	220		
R302	50515350	1.2k		
R303	50525930	Wire Wound 3.3/1W		
R304	50515340	1k		
R305	50515340	1k		
R306	50515430	3.9k		
R307	50515520	8.2k		
R308	50515520	18k		
R309	50515130	22		
TRIMMER RESISTORS				
VR101/201	50533460	4.7k B		
VR102/202	50533460	4.7k B		
VR103/203	50533520	47k B		
VR104/204	50533480	10k B		
VR105/205	50533490	100k B		
VR106/206	50533480	10k B		
VR107/207	50533560	22k B		
CAPACITORS				
<i>ALL CAPACITORS IN MICRO FARADS UNLESS OTHERWISE NOTED.</i>				
C101/201	50546190	Tantalum 10/10V		
C102/202	50554170	Elec. 100/25V		
C103/203	50548780	Mylar 0.001/50V		
C104/204	50554030	Elec. 47/6.3V		
C105/205	50554270	Elec. 10/16V		
C106/206	50544080	Polyst. 22p/50V		
C107/207	50554230	Elec. 100/6.3V		
C108/208	50554040	Elec. 10/25V		
C109/209	50548420	Mylar 0.015/50V		
C110/210	50544090	Polyst. 560p/50V		
C111/211	50554180	Elec. 220/25V		
C112/212	50546120	Tantalum 1/25V		
C113/213	50546120	Tantalum 1/25V		
C114/214	50546220	Tantalum 3.3/25V		
C115/215	50554810	Elec. 1/25V		
C116/216	50554170	Elec. 100/25V		
C117/217	50554030	Elec. 47/6.3V		
C118/218	50548780	Mylar 0.001/50V		

PREAMPLIFIER (CONTINUED)

CIRCUIT REF NO.	TEAC PARTS NO.	DESCRIPTION	1ST	2ND
C119/219	50554055	Elec. 10/16V		
C120/220	50544100	Polyst. 82p/50V		
C121/221	50554030	Elec. 47/6.3V		
C122/222	50554510	Elec. 10/25V		
C123/223	50544120	Polyst. 820p/50V		
C124/224	50554050	Elec. 10/16V		
C125/225	50554030	Elec. 47/6.3V		
C126/226	50554050	Elec. 10/16V		
C127/227	50554050	Elec. 10/16V		
C128/228	50544110	Polyst. 47p/50V		
C129/229	50554050	Elec. 10/16V		
C130/230	50554050	Elec. 10/16V		
C131/231	50554030	Elec. 47/6.3V		
C132/232	50554490	Elec. 47/25V		
C133/233	50554180	Elec. 220/25V		
C134/234	50554050	Elec. 10/16V		
C135/235	50544110	Polyst. 47p/50V		
C136/236	50554050	Elec. 10/16V		
C137/237	50554030	Elec. 47/6.3V		
C138/238	50554490	Elec. 47/25V		
C139/239	50554050	Elec. 10/16V		
C140/240	50548290	Mylar 0.022/50V		
C141/241	50548630	Mylar 0.039/50V		
C142/242	50548680	Mylar 0.33/50V		
C142'/242'	50548660	Mylar 0.22/50V		
C144/244	50554055	Elec. 10/16V		
C145/245	50546200	Tantalum 10/25V		
C146/246	50554770	Elec. 47/16V		
C147/247	50554230	Elec. 100/6.3V		
C148/248	50544120	Polyst. 820p/50V		
C149/249	50554810	Elec. 1/25V		
C150/250	50554030	Elec. 47/6.3V		
C151/251	50554810	Elec. 1/25V		
C301	50557080	Elec. 820/50V		
C302	50554800	Elec. 220/35V		
C303	50554180	Elec. 220/25V		
C304	50557050	Elec. 1000/25V		

14 EXPLODED VIEW AND PARTS LIST

FOR

REPLACEMENT INFORMATION

Replacement part are available through your nearest TEAC dealer or directly from the TEAC office.

Changes are constantly being made to make TEAC products better and more reliable.

Therefore, when ordering parts, always include the following information:

<i>MODEL</i>	<i>SERIAL NO.</i>	<i>REF NO.</i>	<i>PART NO.</i>	<i>DESCRIPTION</i>
--------------	-------------------	----------------	-----------------	--------------------

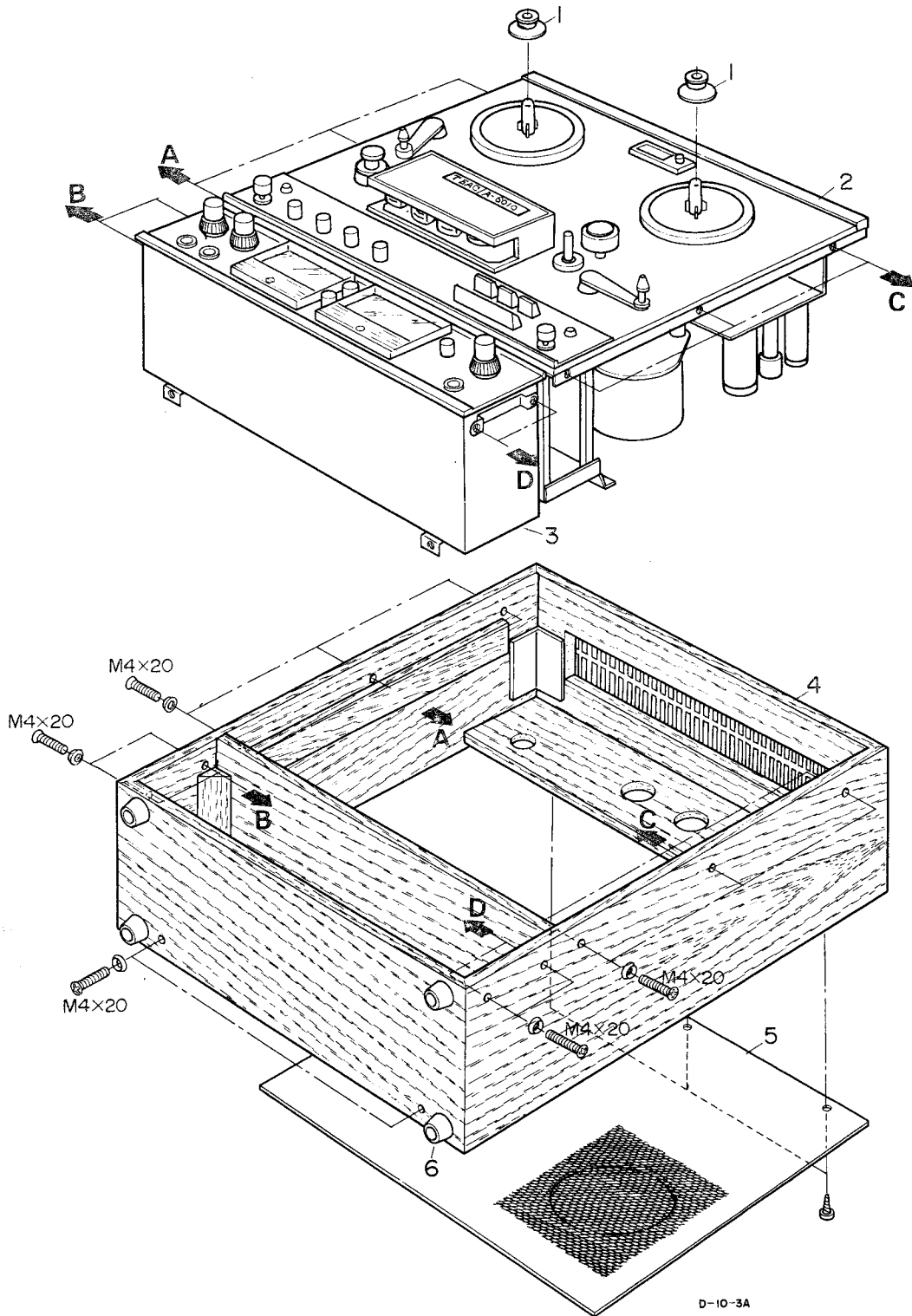
NOTE

The basic design of the A-6010SL is highly similar to that of the A-6010, therefore information in this exploded view may be applied to the A-6010SL.

Refer to the last page of this section for revised parts to the A-6010SL and comparison chart.

EXPLODED VIEW
A-6010

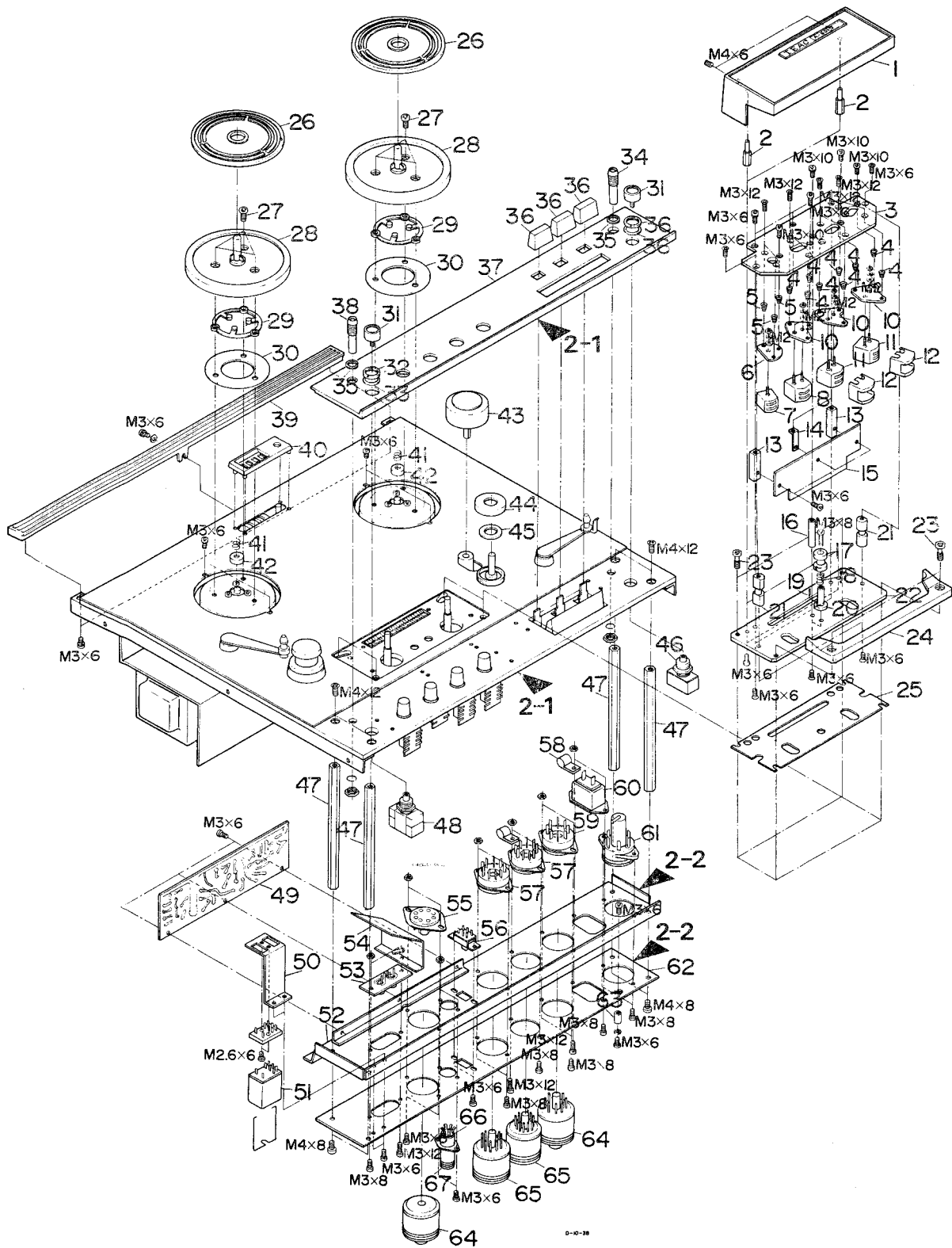
TRIM PARTS



TRIM PARTS

REF NO.	TEAC PARTS NO.	DESCRIPTION	1ST	2ND
1-1	50161580	Reel Holder		
1-2	50870270	Transport		
1-3	50400310	Preamplifier AR-60		
1-4	50286300	Wooden Case		
1-5	50286340	Rear Cover		
1-6	50283830	Mount Foot		

ABOVE MAIN CHASSIS



ABOVE MAIN CHASSIS

REF NO.	TEAC PARTS NO.	DESCRIPTION	1ST	2ND
2- 1	50133710	Head Housing		
2- 2	50133760	Mount Stand-Off, Head Housing		
2- 3	50133734	Head Mount Base Plate		
2- 4	50220500	Spring, Head, B		
2- 5	50220470	Spring, Head, A		
2- 6	50133601	Mount Plate, Erase Head		
2- 7	50663031	Head, Erase		
2- 8	50666041	Head, Record		
2- 9				
2-10	50133830	Mount Plate, Head, C		
2-11	50669041	Head, Playback		
2-12	50133702	Head Shield, A		
2-13	50132610	Mount Stand-Off, Head Assy		
2-14	50132601	Mount Bracket, PC Board		
2-15	50480530	PC Board, Head		
2-16	50241140	Mount Stand-Off, Round Type		
2-17	50132640	Tape Guide		
2-18	50220110	Spring, Tape Guide		
2-19	50132650	Tape Guide Pin		
2-20	50132630	Tape Guide Shaft		
2-21	50133810	Tape Guide		
2-22	50133741	Housing Base Plate		
2-23	50132770	Screw, Head Assy Mount		
2-24	50133720	Lower Head Protector		
2-25	50133751	Shield Plate, Head Assy		
2-26	50161472	Reel Table Mat		
2-27	50277380	Screw, M4 x 8		
2-28	50161523	Reel Table		
2-29	50162000	Shim, Red (2.0t)		
	50162010	Shim, White (2.4t)		
	50162020	Shim, Black (2.7t)		
2-30	50162321	Spacer, Reel Table 0.2t		
	50162311	Spacer, Reel Table 0.4t		
2-31	50252280	Push Button		
2-32	50252290	Trim Nut		
2-33	50273440	Washer, A		
2-34	50414260	Lamp, Record On Indicator		
2-35	50273340	Washer, Indicator Lamp		
2-36	50252270	Push Button, Operate		
2-37	50111780	Panel, Control		
2-38	50414170	Lamp, Power On Indicator		
2-39	50112730	Air Vent		
2-40	50271810	Escutcheon, Index Counter		
2-41	50221190	Spring		
2-42	50162130	Center Bushing, Reel Table		
2-43	50140260	Pinch Roller Assy		
2-44	50122863	Dust Cap		
2-45	50124190	Sponge Oiler		
2-46	50443281	SW, Push, Record		
2-47	50241150	Mount Stand-Off, Chassis Stay		

PARTS LIST
A-6010

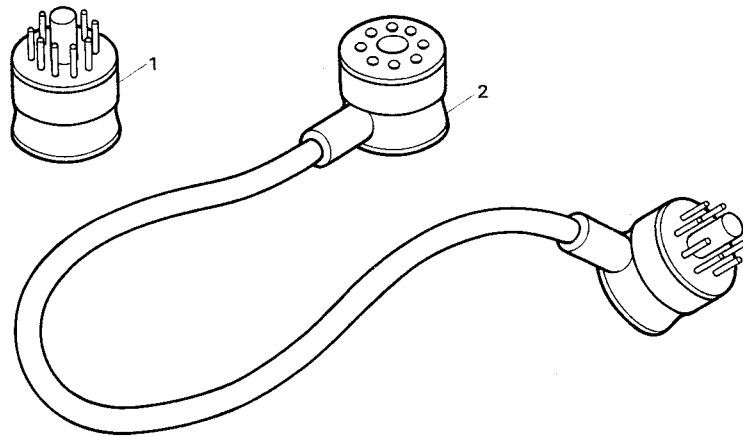
ABOVE MAIN CHASSIS (CONTINUED)

REF NO.	TEAC PARTS NO.	DESCRIPTION	1ST	2ND
2-48	50443291	SW, Push, Power		
2-49	50489450	PC Board Assy, Reverse Amp		
2-50	50133880	Mount Bracket, Head Relay		
2-50	50133880	Mount Bracket, Head Relay		
2-51	50610980	Relay, Head MRP-200-104C		
2-52	50233810	Connector Chassis		
2-53	50434630	Pin Jack, 2P		
2-54	50111811	Shield Plate, Head Relay		
2-55	50434650	Socket, US 8P Male		
2-56	50444080	SW, Slide, Repeat		
2-57	50432350	Socket, 11P Female		
2-58	50276280	Wire Clamp		
2-59	50434090	Socket, US 8P Female		
2-60	50431051	Receptacle, AC		
2-61	50412142	Fuse Holder, Voltage Selector		
2-62	50111803	Trim Panel, Plastic		
2-63	50241160	Post, GND Terminal		
2-64	50471060	Connector Cord Assy	*50475130	
2-65	50434490	Dummy Plug, 11P Male	*50432520	
2-66	50430250	Receptacle, Pause 6P		
2-67	50430260	Dummy Plug, Pause		

NOTE

* See Exploded View, Connector Cord Assy

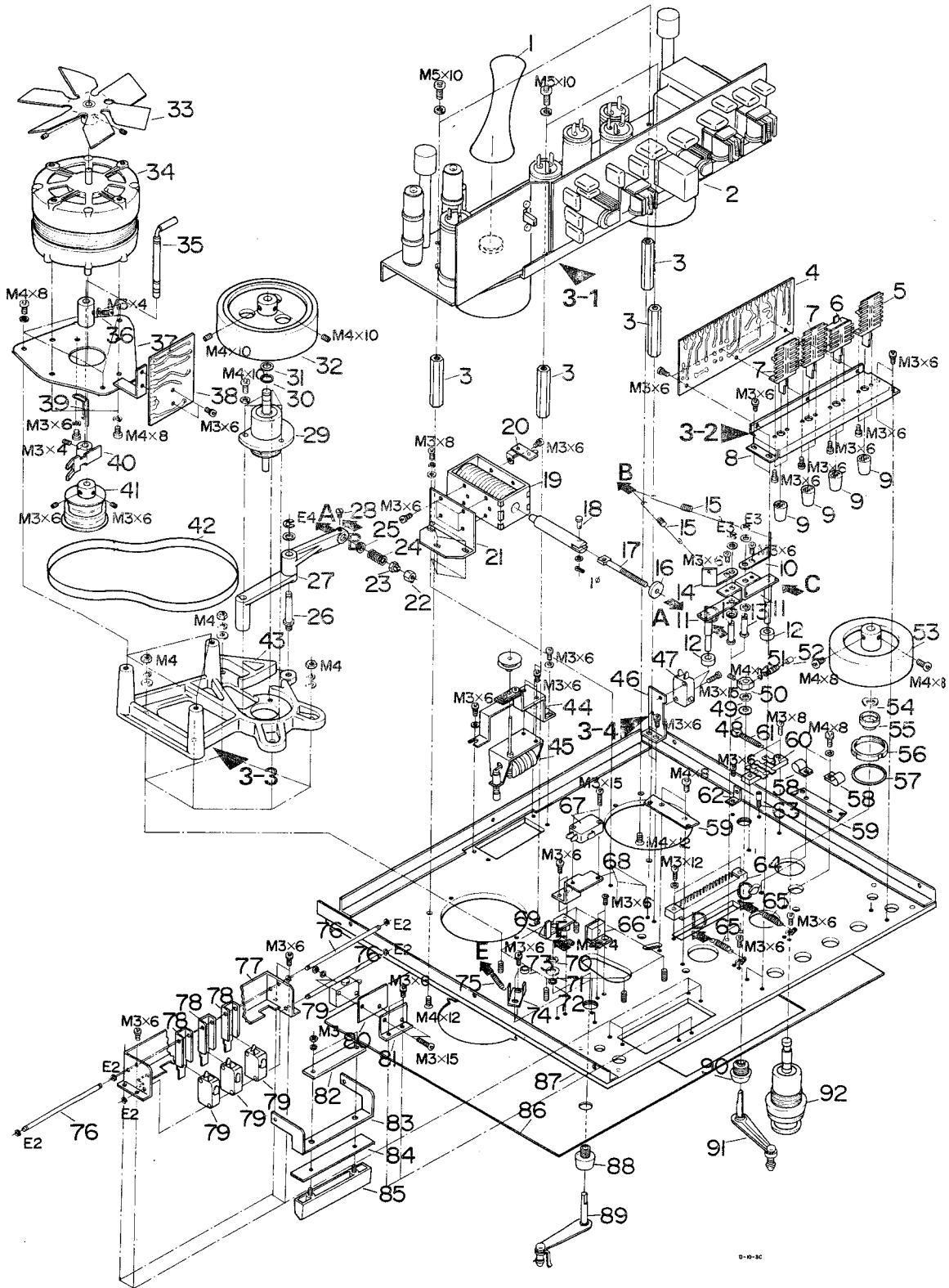
CONNECTOR CORD ASSY



REF NO.	TEAC PARTS NO.	DESCRIPTION	1ST	2ND
3- 1	50432520	Dummy Plug, 11P Male		
3- 2	50475130	Connector Cord Assy		

EXPLODED VIEW
A-6010

BELOW MAIN CHASSIS



BELOW MAIN CHASSIS

REF NO.	TEAC PARTS NO.	DESCRIPTION	1ST	2ND
4- 1	50273161	Belt, Index Counter		
4- 2	50160230	Reel Motor Assy		
4- 3	50111720	Mount Stand-Off, Base Plate		
4- 4	50481860	PC Board Assy, Record Relay		
4- 5	50443300	SW, Push, Tape Speed		
4- 6	50443320	SW, Push, Tape Thickness Selector		
4- 7	50443310	SW, Push, Auto Reverse		
4- 8	50273031	Mount Plate, Operate SW		
4- 9	50252320	Push Button, A		
4-10	50152520	Lifter Arm Lower, L		
4-11	50150130	Lifter Arm Assy		
4-12	50277350	Rubber Ring		
4-13	50151981	Lifter Arm Shaft		
4-14	50152510	Lifter Arm Lower, R		
4-15	50151963	Spring, Lifter		
4-16	50273320	Felt Washer		
4-17	50121530	Screw, Pressure Adjust		
4-18	50124070	Plunger Pin, A		
4-19	50616393	Solenoid, Capstan		
4-20	50452080	Terminal Strip, 1L1P		
4-21	50141550	Mount Plate, Solenoid		
4-22	50141511	Lock Nut, B		
4-23	50141501	Lock Nut, A		
4-24	50220410	Spring, Pressure		
4-25	50141581	Washer		
4-26	50141571	Roller Arm Shaft		
4-27	50141594	Pinch Roller Arm		
4-28	50151970	Screw, Lifter Spring		
4-29	50124020	Capstan Assy		
4-30	50124380	Plastic Washer, A		
4-31	50124170	Steel Washer, B		
4-32	50123022	Flywheel, Capstan		
4-33	50124350	Fan		
4-34	50701170	Motor, Capstan		
4-35	50122942	Freq. Change Lever		
4-36	50277330	Vinyl Washer		
4-37	50124310	Mount Plate, Capstan Motor		
4-38	50540170	PC Board Assy, Noise Suppression		
4-39	50122950	Spring, Belt Change Lock		
4-40	50122772	Belt Change Guide		
4-41	50124390	Motor Pulley		
4-42	50122850	Belt, Capstan		
4-43	50122901	Capstan Assy Base		
4-44	50277430	Mount Bracket, Index Counter		
4-45	50277420	Index Counter		
4-46	50273141	Mount Bracket, Micro SW		
4-47	50446180	SW, Micro		
4-48	50182140	Thrust Washer		
4-49	50221200	Spring Washer		
4-50	50277390	Nut		

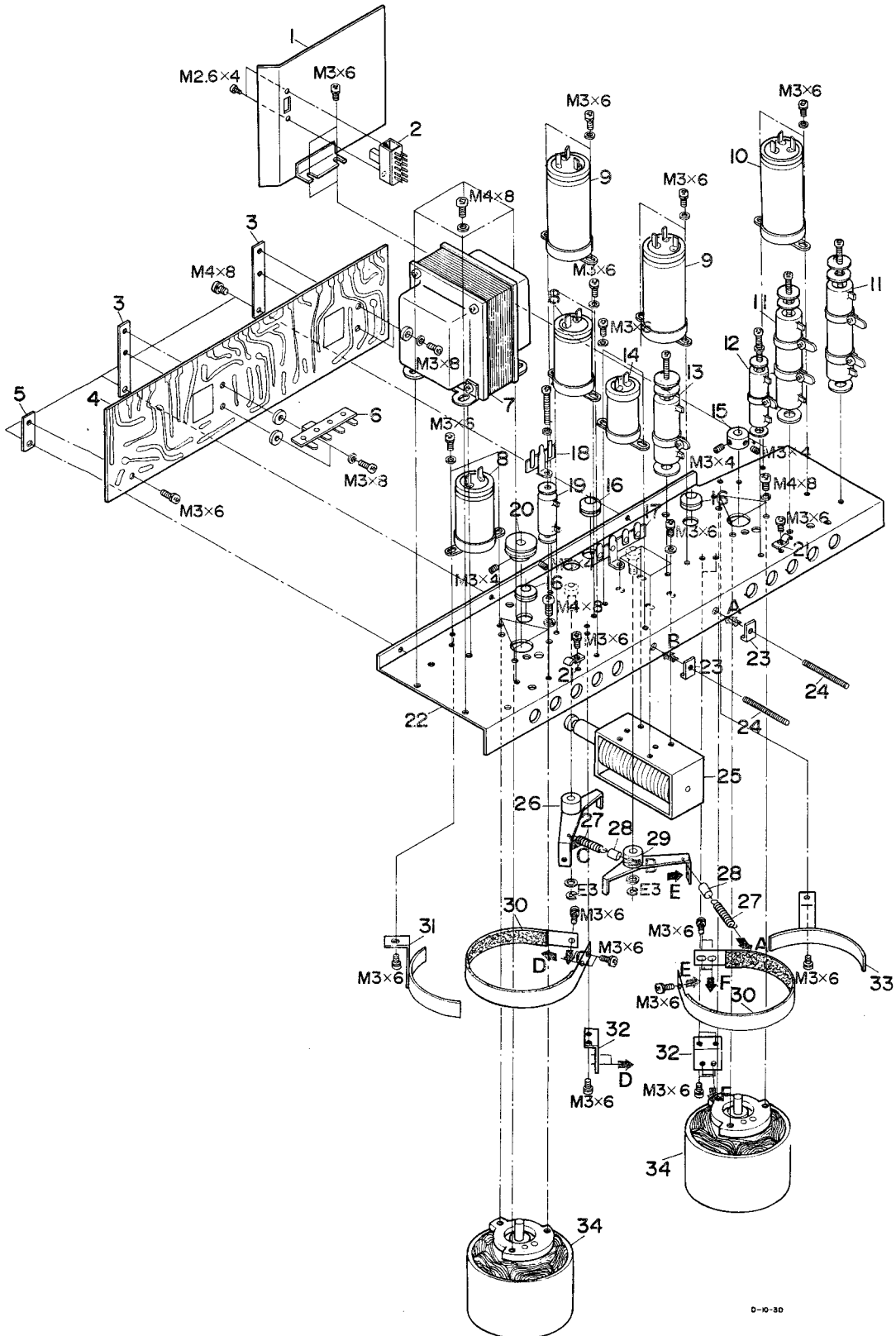
PARTS LIST
A-6010

BELOW MAIN CHASSIS

REF NO.	TEAC PARTS NO.	DESCRIPTION	1ST	2ND
4-51	50123140	Spring Retainer Pin		
4-52	50277400	Vinyl Tube		
4-53	50122141	Flywheel, Impedance Roller		
4-54	50221210	Spring Washer		
4-55	50124110	Shoulder Washer, Impedance Roller		
4-56	50121430	Collar Nut		
4-57	50121440	Washer		
4-58	50276280	Wire Clamp		
4-59	50133770	Mount Plate, Head Assy		
4-60	50453150	Terminal Strip		
4-61	50220030	Spring, Tension Arm Return		
4-62	50111710	Bracket, Limit Stop		
4-63	50181360	Pin, Limit Stop		
4-64	50438130	Connector, 18P		
4-65	50152020	Spring, Lifter Return		
4-66	50272940	Mount Bracket, Magnet		
4-67	50446180	SW, Micro		
4-68	50272951	Mount Bracket, Micro SW		
4-69	50277412	Micro SW Actuator Arm		
4-70	50221200	Spring Washer		
4-71		Flat Washer, 5 ϕ x 12 ϕ x 0.8t		
4-72	50182140	Thrust Washer		
4-73	50182950	Cushion, Rubber		
4-74	50141561	Limit, Tension Arm R		
4-75	50182311	Spring, Tension Arm R		
4-76	50252301	SW Mount Rod		
4-77	50273050	Bracket, SW, A		
4-78	50273070	Bracket, SW, C		
4-79	50446090	SW, Micro		
4-80	50271790	Insulate Plate		
4-81	50273040	Mount Bracket, SW		
4-82	50273150	Bracket, SW, D		
4-83	50273060	Bracket, SW, B		
4-84	50273120	Cushion, Rubber		
4-85	50252340	Push Button, Stop		
4-86	50111761	Panel, Trim		
4-87	50111751	Panel, Chassis		
4-88	50181920	Arm Bushing, Right		
4-89	50180450	Tension Arm Assy, Right		
4-90	50182870	Arm Bushing, Left		
4-91	50182830	Tension Arm Assy, Left		
4-92	50126231	Impedance Roller Assy		

EXPLODED VIEW
A-6010

REEL MOTOR ASSY

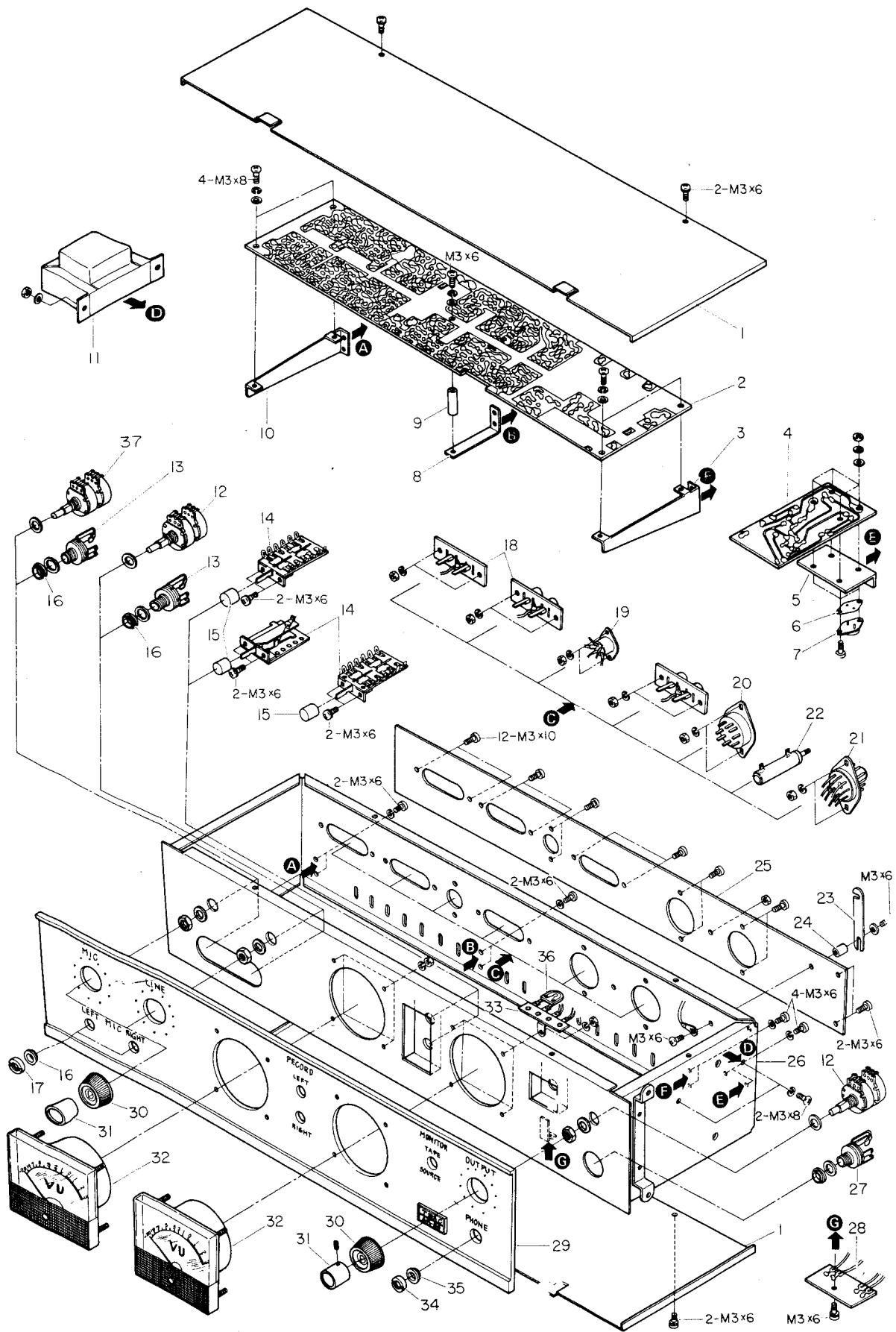


REEL MOTOR ASSY

REF NO.	TEAC PARTS NO.	DESCRIPTION	1ST	2ND
5- 1	50134460	Shield, Heat		
5- 2	50444210	SW, Slide, Freq. Selector		
5- 3	50273090	Reinforcing Plate, B		
5- 4	50489560	PC Board Assy, Control Relay		
5- 5	50273081	Reinforcing Plate, A		
5- 6	50452010	Terminal Strip, 1L3P		
5- 7	50561504	Transformer, Power		
5- 8	50551120	Cap., Elec. 100uF/160V		
5- 9	50545670	Cap., MP 1 + 3.2uF/250V		
5-10	50545310	Cap., MP 1 + 2.8uF/250V		
5-11	50520433	Resistor, Wire Wound 300 ohm/30W		
5-12	50524350	Resistor, Wire Wound 50 ohm/10W		
5-13	50524340	Resistor, Wire Wound 1.5k/20W		
5-14	50551170	Cap., Elec. 1000uF/16V		
5-15	50123010	Collar, Reel Motor		
5-16	50323011	Grommet		
5-17	50452010	Terminal Strip, 1L3P		
5-18	50452060	Terminal Strip, 1L2P		
5-19	50524360	Resistor, Wire Wound 10 ohm/5W		
5-20	50273170	Counter Pulley		
5-21	50273000	Oil Pipe Clamp		
5-22	50161518	Mount Plate, Reel Motor		
5-23	50277370	Nut Plate		
5-24	50277360	Screw, Brake Adjustment		
5-25	50616402	Solenoid, Brake		
5-26	50172140	Brake Arm, Left		
5-27	50172210	Spring, Brake		
5-28		Tube		
5-29	50172130	Brake Arm, Right		
5-30	50172233	Brake Band		
	50172840	Brake Felt		
5-31	50172741	Brake Retainer, Left		
5-32	50172750	Mount Bracket, Brake Band		
5-33	50172731	Brake Retainer, Right		
5-34	50702201	Motor, Reel, Outer Rotor		

EXPLODED VIEW
A-6010

PREAMPLIFIER CHASSIS

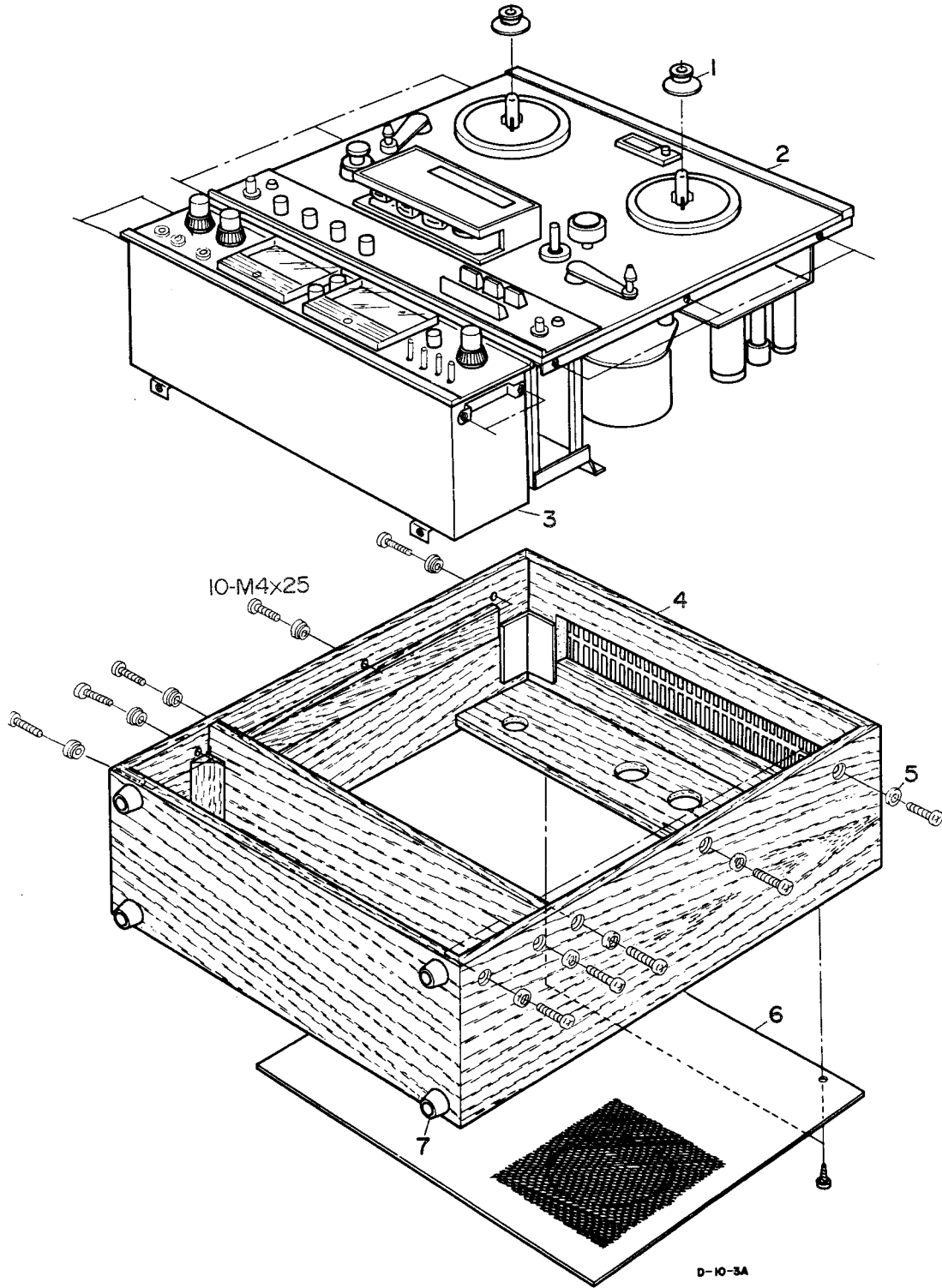


PREAMPLIFIER CHASSIS

REF NO.	TEAC PARTS NO.	DESCRIPTION	1ST	2ND
6- 1	50233831	Cover, Amp Chassis		
6- 2	50481850	PC Board Assy, Preamplifier		
6- 3	50231920	Mount Bracket, B		
6- 4	50563160	PC Board Assy, Bias Osc.		
6- 5	50233860	Mount Plate, Power Transistor		
6- 6		Insulate Sheet		
6- 7	50423420	Transistor, Power 2SC491(Y)		
6- 8	50231930	Mount Bracket, C		
6- 9	50240630	Mount Stand-Off		
6-10	50231910	Mount Bracket, A		
6-11	50561321	Transformer, Power		
6-12	50537090	Potentiometer, Dual, 100k		
6-13	50430100	Phone Jack, Microphone, Single		
6-14	50443270	SW, Push, Record		
6-15	50252320	Push Button		
6-16	50272620	Insulate Washer		
6-17	50231951	Trim Nut, A		
6-18	50434630	Pin Jack, 2P		
6-19	50430010	Connector, DIN		
6-20	50434650	Socket, US 8P Female		
6-21	50434090	Socket, US 8P Male		
6-22	50527020	Resistor, Wire Wound 320 ohm 10W		
6-23	(16300330)	Shorting Bar		
6-24	50241160	Post, GND Terminal		
6-25	50232021	Trim Panel, Plastic, Preamp.		
6-26	50233820	Chassis, Preamplifier		
6-27	50432670	Phone Jack, Headphone, 3 cond.		
6-28	50277530	PC Board Assy, Meter Adjust		
6-29	50231991	Panel, Amp Trim		
6-30	50252331	Knob, Inner		
6-31	50252261	Knob, Outer		
6-32	50581142	VU Meter		
6-33	50452020	Terminal Strip 1L-3P		
6-34	50231961	Trim Nut, B		
6-35	50272620	Insulate Washer		
6-36	50533060	Trimmer Resistor, 150k		
6-37	50537100	Potentiometer, Dual, 10k		

EXPLODED VIEW
A-6010SL

TRIM PARTS



D-10-3A

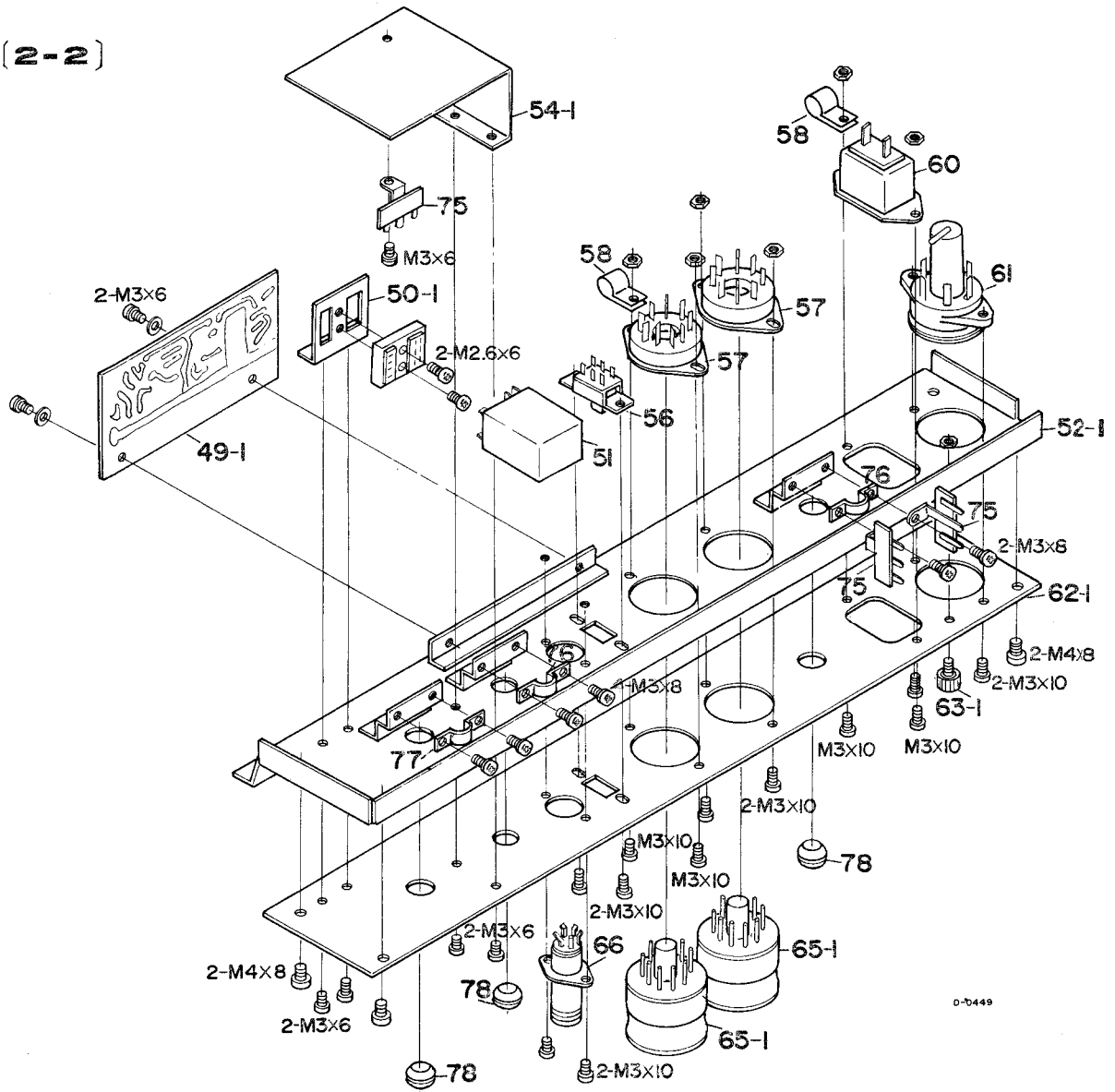
TRIM PARTS

REF NO.	TEAC PARTS NO.	DESCRIPTION	1ST	2ND
1-1	50161580	Reel Holder		
1-2	50870270	Transport		
1-3	50400610	Preamplifier AR-70SL		
1-4	50287511	Wooden Case		
1-5	50296930	Countersunk Trim Washer		
1-6	50286340	Rear Cover		
1-7	50283830	Mount Foot		

EXPLODED VIEW
A-6010SL

ABOVE MAIN CHASSIS PARTIAL

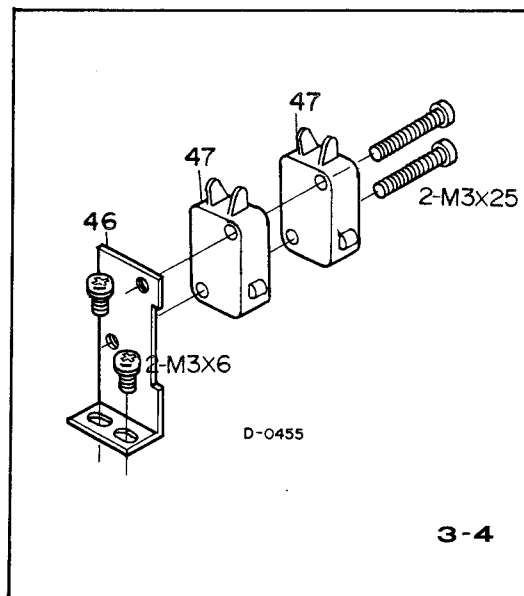
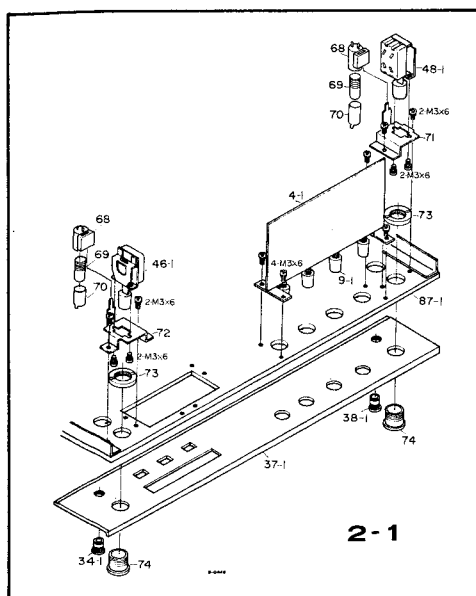
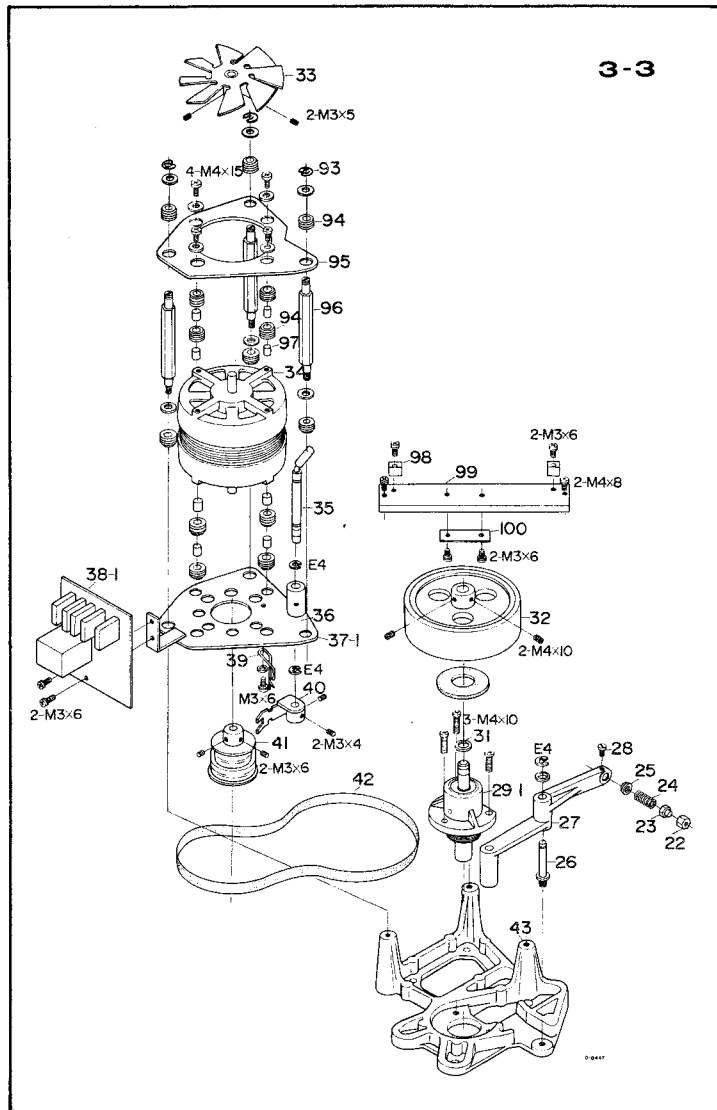
(2-2)



**ABOVE MAIN CHASSIS
PARTIAL**

REF NO.	TEAC PARTS NO.	DESCRIPTION	1ST	2ND
2-2				
2-49-1	50489280	PC Board Assy, Auto Reverse Amp		
2-50-1	50135350	Mount Bracket, Head Relay		
2-51	50610420	Relay, Head		
2-52-1	50234931	Connector Chassis		
2-54-1	50135360	Shield Plate, Head Relay		
2-56	50444080	SW, Slide, Repeat		
2-57	50432350	Socket, 11P Female		
2-58	50276280	Wire Clamp, A		
2-60	50431051	Receptacle, AC		
2-61	50412142	Fuse Holder, Voltage Selector		
2-62-1	50113271	Trim Panel, Plastic		
2-63-1	50454071	Screw, GND Terminal		
2-65-1	50432520	Dummy Plug, 11P		
2-66	50430270	Receptacle, Pause 6P		
	50430260	Dummy Plug, Pause 6P		
2-75	50452170	Terminal Strip, 1L2P		
2-76	50279480	Clamp, A		
2-77	50279490	Clamp, B		
2-78	50323010	Cushion, Rubber		

BELOW MAIN CHASSIS



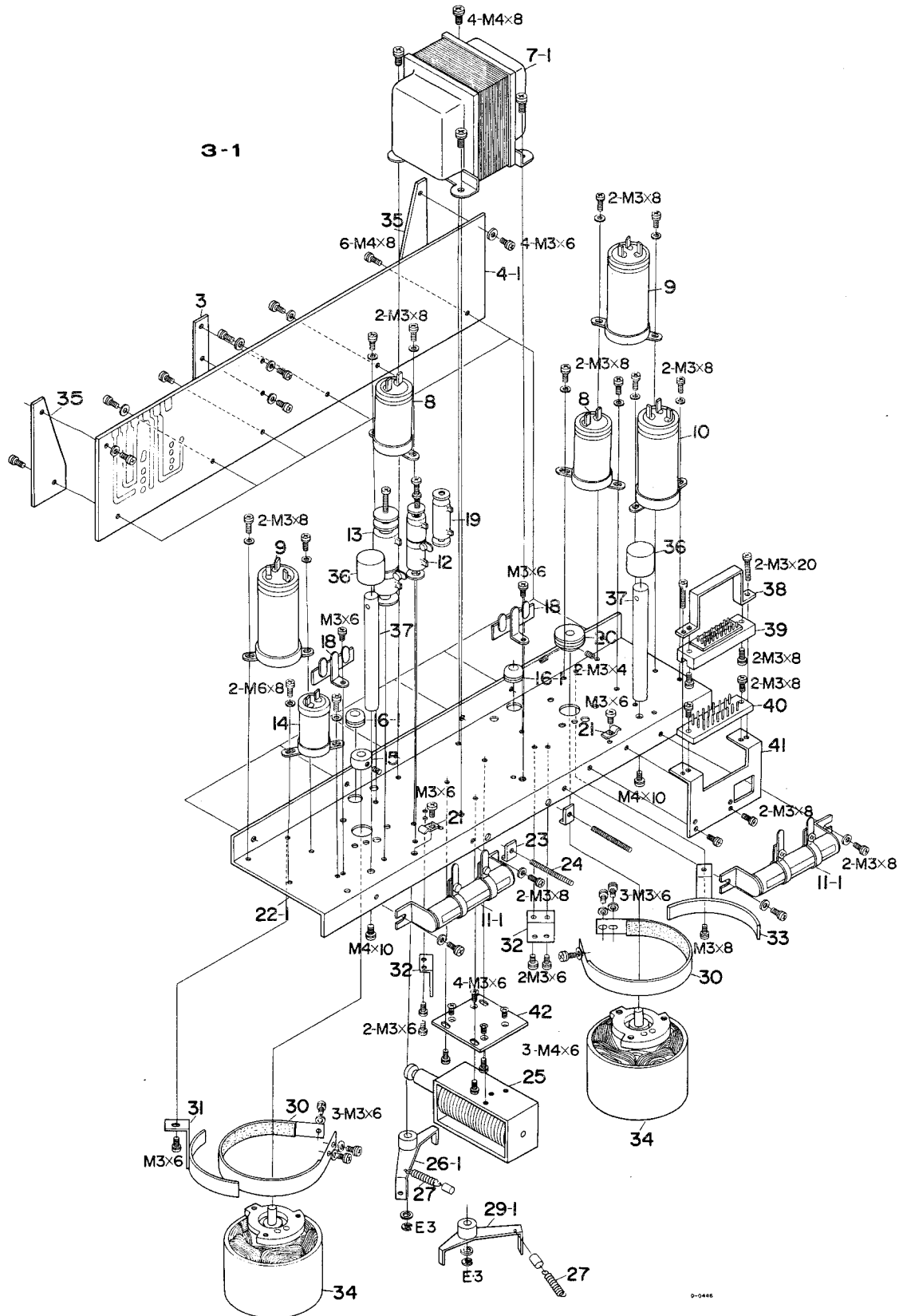
D-0455

BELOW MAIN CHASSIS PARTIAL

REF NO.	TEAC PARTS NO.	DESCRIPTION	1ST	2ND
3-3				
4-22	50141501	Lock Nut, A		
4-23	50141511	Lock Nut, B		
4-24	50220041	Spring, Pressure		
4-25	50141581	Washer		
4-26	50141571	Roller Arm Shaft		
4-27	50141594	Pinch Roller Arm		
4-28				
4-29-1	50120360	Capstan Assy		
4-31	50124180	Plastic Washer		
4-32	50124220	Flywheel, Capstan		
4-33	50123023	Fan		
4-34	50701170	Motor, Capstan		
4-35	50122943	Freq. Change Lever		
4-36				
4-37-1	50124331	Mount Plate, Capstan Motor		
4-38-1	50489220	PC Board Assy, Noise Suppression		
4-39	50122950	Spring, Belt Change Lock		
4-40	50122772	Belt Change Guide		
4-41	50124390	Motor Pulley (STD only)		
4-42	50122850	Belt, Capstan		
4-43	50122901	Capstan Assy Base		
4-93	50277730	E Clip		
4-94	50706211	Cushion, Rubber		
4-95	50124310	Mount Plate, Motor Support		
4-96	50241220	Mount Stand Off, Capstan Motor		
4-97	50241210	Spacer		
4-98	50270771	Wire Clamp		
4-99	50234720	Angle, Thrust		
4-100	50277230	Plate, Thrust		
3-4				
4-46	50273142	Mount Bracket, Micro SW		
4-47	50446180	SW, Micro V-1A44		
2-1				
4- 4-1	50489270	PC Board Assy, Record Relay		
4- 9-1	50253500	Push Button, B		
	50443670	Push SW Assy		
4-34-1	50415181	Bezel, Record On Indicator		
4-37-1	50113200	Panel, Control		
4-38-1	50415171	Bezel, Power On Indicator		
4-46-1	50443410	SW, Push, Record (Non Lock)		
4-48-1	50926280	SW, Push, Power		
4-68	50415030	Socket, Lamp		
4-69	50414131	Lamp, 8V		
4-70	50419050	Pilot Cover		
4-71	50234780	Mount Bracket, Power SW		
4-72	50234770	Mount Bracket, Record SW		
4-73	50210470	Nut		
4-74	50253510	Bezel, Push Button		
4-87-1	50113180	Panel, Chassis		

EXPLODED VIEW
A-601OSL

REEL MOTOR ASSY

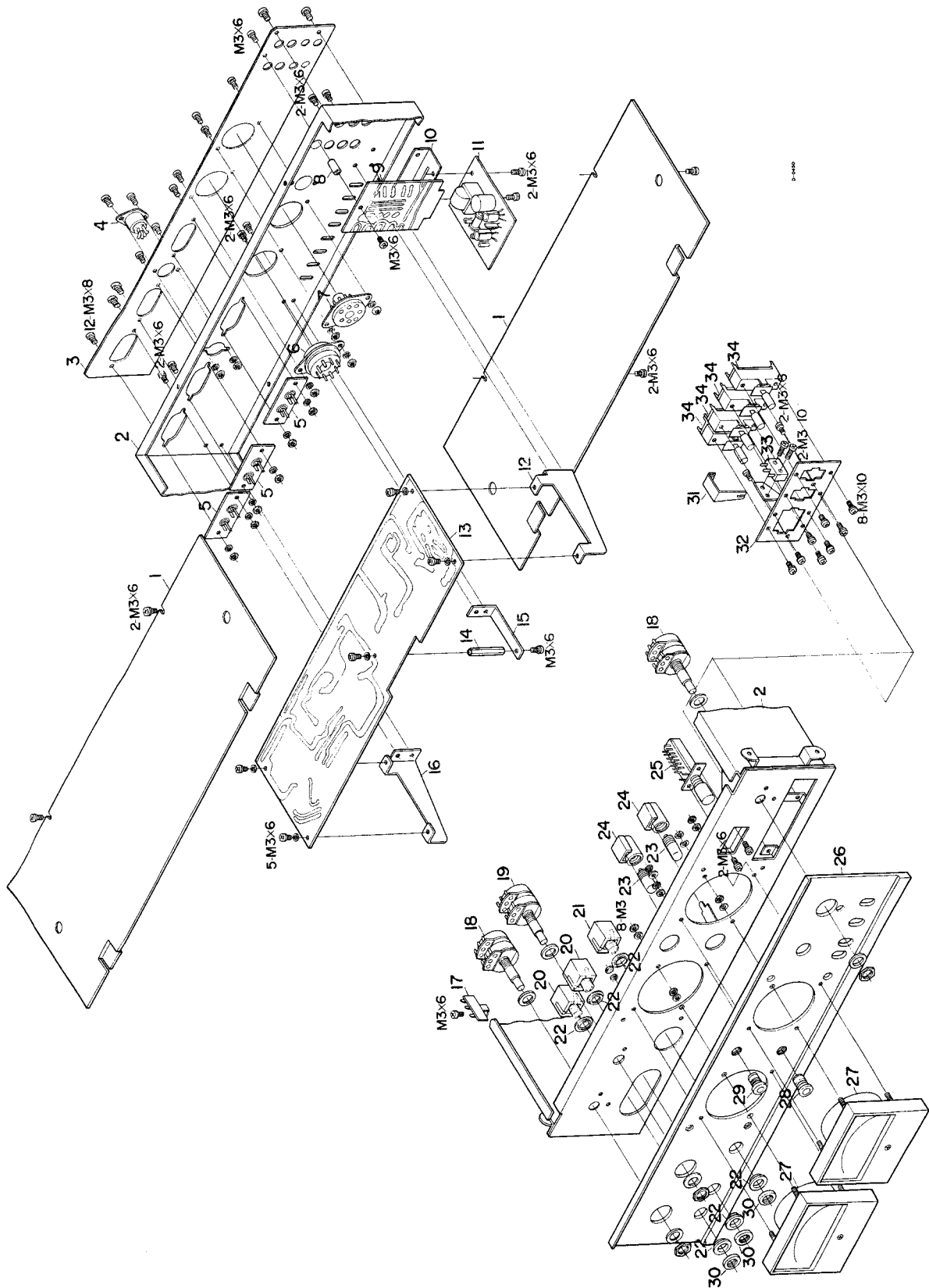


REEL MOTOR ASSY

REF NO.	TEAC PARTS NO.	DESCRIPTION	1ST	2ND
5- 3	50234790	Reinforcing Plate		
5- 4-1	50489331	PC Board Assy, Control Relay		
5- 7-1	50561880	Transformer, Power		
5- 8	50551120	Cap., Elec. 100uF/160V		
5- 9	50545670	Cap., MP 1 + 3.2uF/250V		
5-10	50545310	Cap., MP 1 + 2.8uF/250V		
5-11-1	50524330	Resistor, Wire Wound 300 ohm/30W		
5-12	50524350	Resistor, Wire Wound 50 ohm/10W		
5-13	50524342	Resistor, Wire Wound 1.5k/20W		
5-14	50551170	Cap., Elec. 1000uF/16V		
5-15	50123010	Collar, Reel Motor		
5-16-1	50323011	Grommet		
5-18	50452170	Terminal Strip, 1L2P		
5-19	50524360	Resistor, Wire Wound 10 ohm/5W		
5-20	50273170	Counter Pulley		
5-21	50273000	Oil Pipe Clamp		
5-22-1	50234901	Mount Plate, Reel Motor		
5-23	50277370	Nut Plate		
5-24	50277360	Screw, Brake Adjustment		
5-25	50616403	Solenoid, Brake		
5-26-1	50172140	Brake Arm, Left		
5-27	50172210	Spring, Brake		
5-28				
5-29-1	50172130	Brake Arm, Right		
5-30	50172233	Brake Band		
	50172840	Felt		
5-31	50172741	Brake Retainer, Left		
5-32	50212810	Bracket, Brake Band		
5-33	50172731	Brake Retainer, Right		
5-34	50702201	Motor, Reel, Outer Rotor		
5-35	50277630	Reinforcing Plate		
5-36	50321740	Rubber Foot		
5-37	50240661	Mount Stand-Off Deck Support		
5-38	50287490	Connector Handle		
5-39	50438200	Connector, 34P Male		
5-40	50436390	Connector, 34P Female		
5-41	50234340	Mount Plate, Connector		
5-42	50616423	Mount Plate, Solenoid, B		

EXPLODED VIEW
A-6010SL

PREAMPLIFIER CHASSIS



PREAMPLIFIER CHASSIS

REF NO.	TEAC PARTS NO.	DESCRIPTION	1ST	2ND
6- 1	50233831	Cover, Amp Chassis		
6- 2	50234801	Chassis, Preamplifier		
6- 3	50113251	Trim Panel, Plastic, Preamp.		
6- 4	50430010	Connector, DIN		
6- 5	50434631	Pin Jack, 2P		
6- 6	50434650	Socket, US 8P Female		
6- 7	50434090	Socket, US 8P Male		
6- 8	50241730	Spacer		
6- 9	50489320	PC Board Assy, Bias Adjust		
6-10	50234880	Mount Angle, Osc. Assy		
6-11	50489300	PC Board Assy, Bias Osc.		
6-12	50234850	Mount Bracket, A		
6-13	50489310	PC Board Assy, Preamplifier		
6-14	50241720	Mount Stand-Off		
6-15	50231930	Mount Bracket, C		
6-16	50234860	Mount Bracket, B		
6-17	50452170	Terminal Strip, 1L2P		
6-18	50537090	Potentiometer, Dual, 100k		
6-19	50537100	Potentiometer, Dual, 10k		
6-20	50430240	Phone Jack, Microphone, Single		
6-21	50432450	Phone Jack, Headphone 3 cond.		
6-22	50272620	Insulate Washer, B		
6-23	50414131	Lamp, 8V		
6-24	50415030	Socket, Lamp		
6-25	50443630	SW, Push, Monitor		
6-26	50113240	Panel, Amp Trim		
6-27	50581301	VU Meter		
6-28	50415190	Bezel, Lamp (Violet)		
6-29	50415180	Bezel, Lamp (Red)		
6-30	50231951	Trim Nut		
6-31	50235230	Bracket, Micro SW		
6-32	50235220	Mount Plate, Toggle SW		
6-33	50446330	SW, Micro		
6-34	50937580	SW, Toggle		

A-6010SL AND A-6010 PARTS COMPARISON CHART

DESCRIPTION	A-6010		A-6010SL	
	REF NO.	PARTS NO.	REF NO.	PARTS NO.
Head Housing	2- 1	50133710		50135330
Emblem (A-6010 only)				50264720
Emblem (6010 only)				50264750
Reel Table Mat	2-26	50161472		50162771
Reel Table	2-28	50161523		50161524
Push Button	2-31	50252280		50252320
Bezel, Push Button	2-32	50252290	4-74	50253510
Lamp, Record	2-34	50414260	4-69	50414131
Panel, Control	2-37	50111780	4-37-1	50113200
Lamp, Power	2-38	50414170	4-69	50414131
SW, Push, Rec	2-46	50443281	4-46-1	50443410
SW, Push, Power	2-48	50443291	4-48-1	50926280
Reverse Amp Assy	2-49	50489450	2-49-1	50489280
PC Board, Reverse Amp		50480490		50482030
Mount Bracket, Head Relay	2-50	50133880	2-50-1	50135350
Connector Chassis	2-52	50233810	2-52-1	50234931
Pin Jack 2P	2-53	50434630		
Shield Plate, Head Relay	2-54	50111811	2-54-1	50135360
Socket, US 8P (M)	2-55	50434650		
Socket, US 8P (F)	2-59	50434090		
Trim Panel, Plastic	2-62	50111803	2-62-1	50113271
GND Terminal	2-63	50241160	2-63-1	50454071
Terminal Strip, 1L2P			2-75	50452170
Clamp, A			2-76	50279480
Clamp, B			2-77	50279490
Cushion, Rubber			2-78	50323010
Connector Cord, A	3- 2	50475130		50475590
Connector Cord, B	3- 2	50475130		50475600
Rec Relay Assy	4- 4	50481860	4- 4-1	50489270
PC Board, Rec Relay		50480502		50481990
Push SW Assy	4- 5	50443300	4- 9-1	50443670
	4- 6	50443320		
	4- 7	50443310		
Mount Plate, Operate SW	4- 8	50273031		
Push Button, A	4- 9	50252320	4- 9-1	50253500
Terminal Strip, 1L1P	4-20	50452080		
Capstan Assy	4-29	50124020	4-29-1	50120360
Plastic Washer, A	4-30	50124380		
Steel Washer, B	4-31	50124170		
Steel Washer, A		50124160		
Bezel, Rec Lamp			4-34-1	50415181
Freq. Change Lever	4-35	50122942	4-35	50122943
Mount Plate, Cap. Motor				
(UL only)	4-37	50124340	4-37-1	50124341
(ST only)	4-37	50124330	4-37-1	50124331
Noise Suppression Assy	4-38	50540170	4-38-1	50489220
PC Board, Noise Suppression		50480700		50482860
Bezel, Power Lamp			4-38-1	50415171
Socket, Lamp			4-68	50415030
Pilot Cover			4-70	50419050

A-6010SL AND A-6010 PARTS COMPARISON CHART

DESCRIPTION	A-6010		A-6010SL	
	REF NO.	PARTS NO.	REF NO.	PARTS NO.
Mount Bracket, Power SW			4-71	50234780
Mount Bracket, Rec SW			4-72	50234770
Nut			4-73	50210470
Panel, Chassis	4-87	50111751	4-87-1	50113180
Angle, Thrust			4-99	50234721
Mount Stand-Off				50234731
Plate, Thrust			4-100	50277230
Shield, Heat	5- 1	50134460		
SW, Slide	5- 2	50444210		50444280
Reinforcing Plate	5- 3	50273090	5- 3	50234790
Control Relay Assy	5- 4	50489560	5- 4-1	50489331
PC Board, Control Relay		50480712		50482040
Reinforcing Plate, A	5- 5	50273081		
Terminal Strip, 1L3P	5- 6	50452010		
Transformer, Power	5- 7	50561770	5- 7-1	50561880
Resistor, Wire Wound	5-11	50520433	5-11-1	50524330
Terminal Strip 1L2P	5-18	50452060	5-18	50452170
Mount Plate Reel Motor	5-22	50161518	5-22-1	50234901
Reinforcing Plate			5-35	50277630
Connector Handle			5-38	50287490
Connector, 34P Male			5-39	50438200
Connector, 34P Female			5-40	50436390
Mount Plate, Connector			5-41	50234340
Mount Plate, Solenoid, B			5-42	50616423

